

LightCraft

10m Coastal Patrol



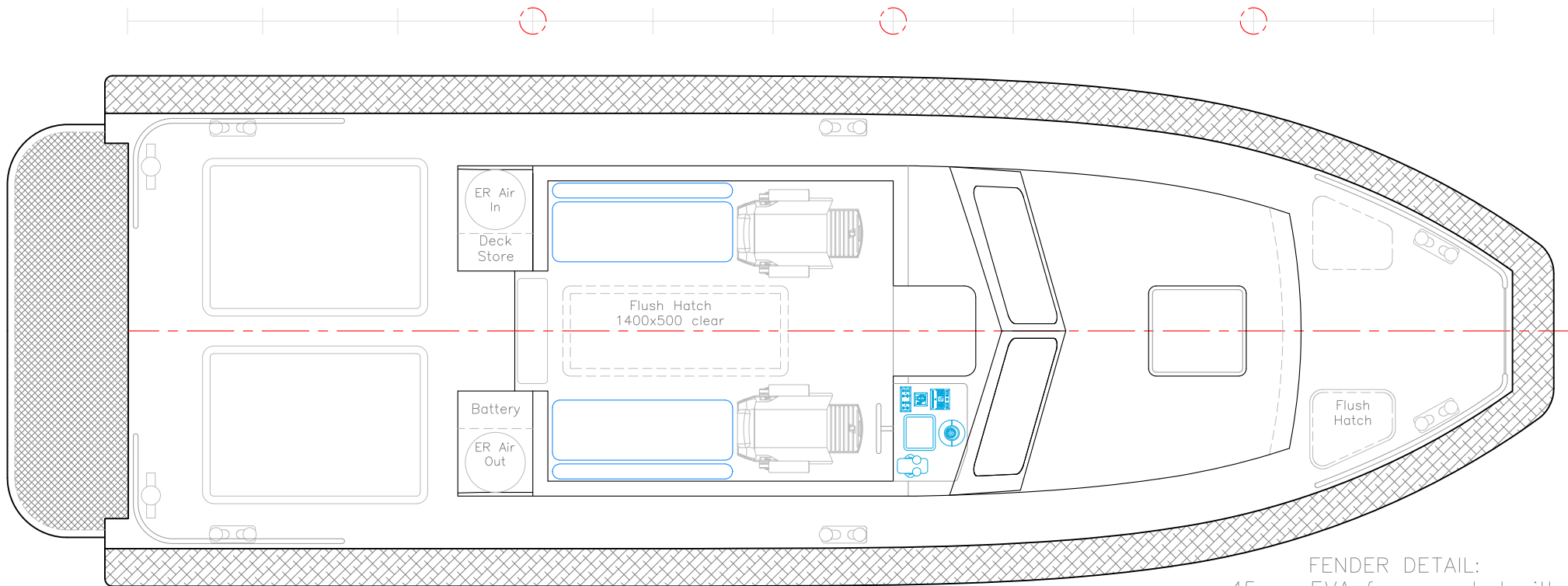
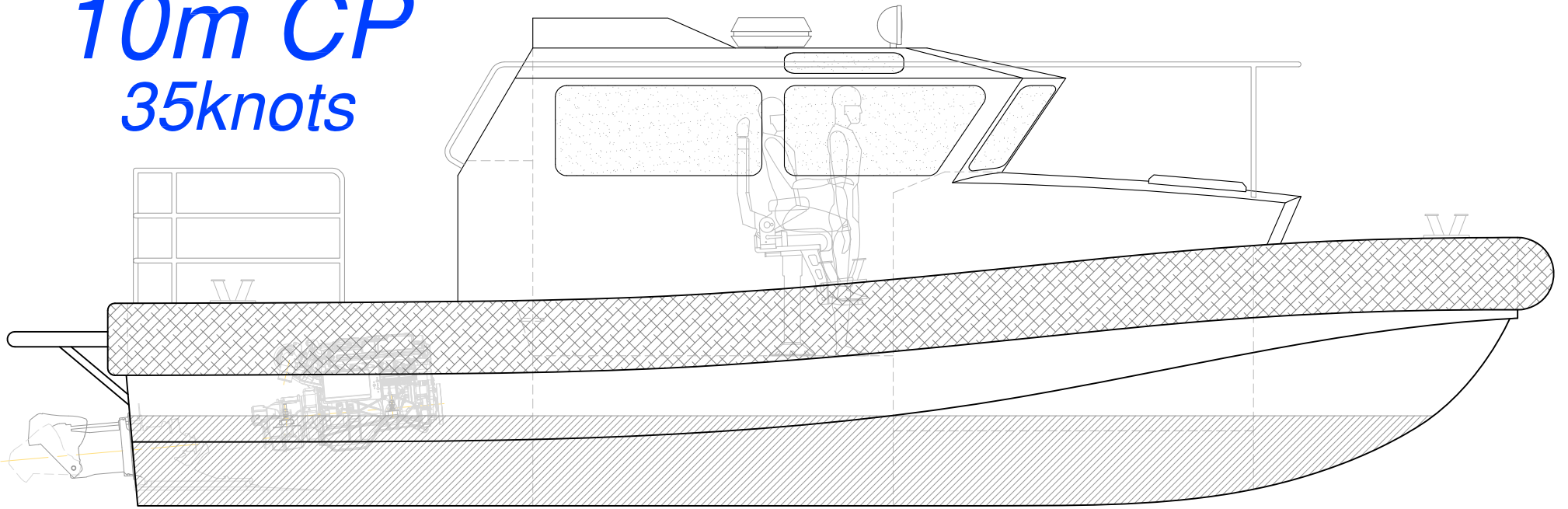
SCY Design

48 Sweetgum St, Ashmore Qld 4214, Australia

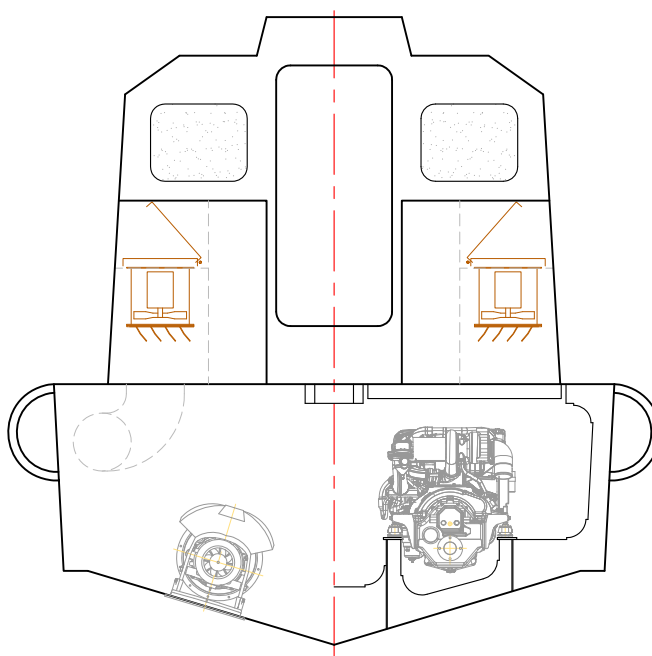
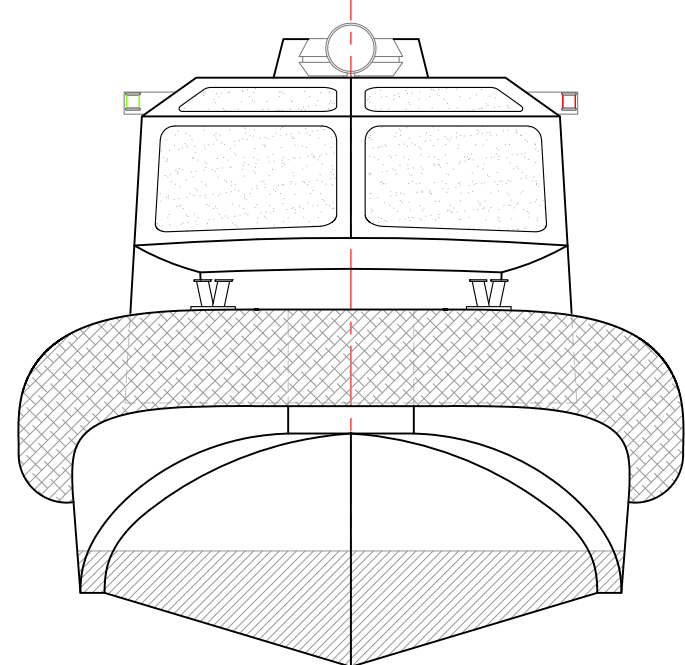
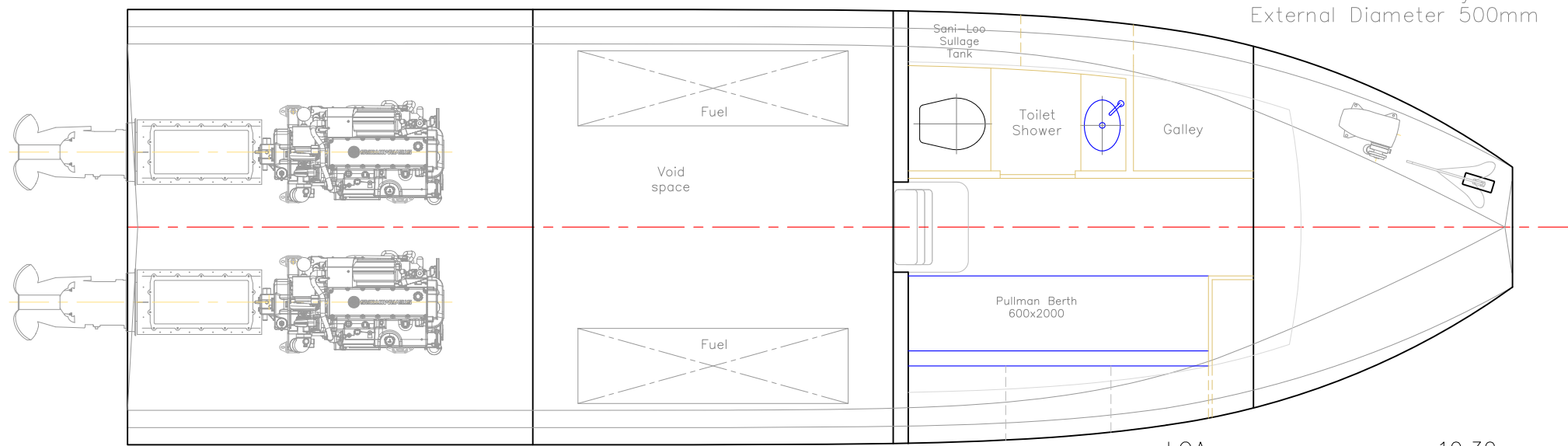
Ph: (617) 5597 3521 www.scy.net.au

10m CP

35knots



FENDER DETAIL:
45mm EVA foam coated with
4mm Elastomeric Polyurethane
External Diameter 500mm



LOA: 10.30m
 Lmoulded: 9.25m
 LWL: 8.70m
 BEAM: 3.40m
 Bmoulded: 2.90m
 Bchine: 2.80m
 DRAFT: 0.6m
 DEADRISE: 18deg.
 A frontal: 8.0m²
 FUEL: 800lts
 MAIN ENGINES: 2 x Steyr SE306
 292hp @ 3800rpm
 GEARBOX: 2 x ZF63c 1.25:1
 PROPULSION: 2 x HJ241
 SPEED—max 2t dwt: 35knots
 SPEED—cruise: 28knots
 RANGE—cruise: 230nm
 CLASS STANDARD: DNV R3
 SURVEY: NSCV 2C
 12+2 Offshore Operations 30nm
 CONSTRUCTION:
 MARINE GRADE ALUMINIUM

LightCraft
aluminium workboats

VESSEL: 10m COASTAL PATROL
 TITLE: GENERAL ARRANGEMENT
 DWG No: 10FRC-100 DATE: 8/3/2013 SCALE: DRAWN: MDW

SCY Design
 Consulting Naval Architects & Mechanical Engineers
 48 Sweetgum St, Ashmore, Queensland 4214, Australia
 Ph: 617 5597 3521 www.mwdesign.net.au

copyright ©

THIS DRAWING AND THE INFORMATION CONTAINED HEREON IS SUPPLIED ON THE UNDERSTANDING THAT IT IS THE EXCLUSIVE PROPERTY OF SOUTHPORT CUSTOM YACHTS PTY. LTD. AND MUST NOT BE USED OR REPRODUCED IN WHOLE OR IN PART WITHOUT PERMISSION IN WRITING.