

LightCraft

10m Workboat

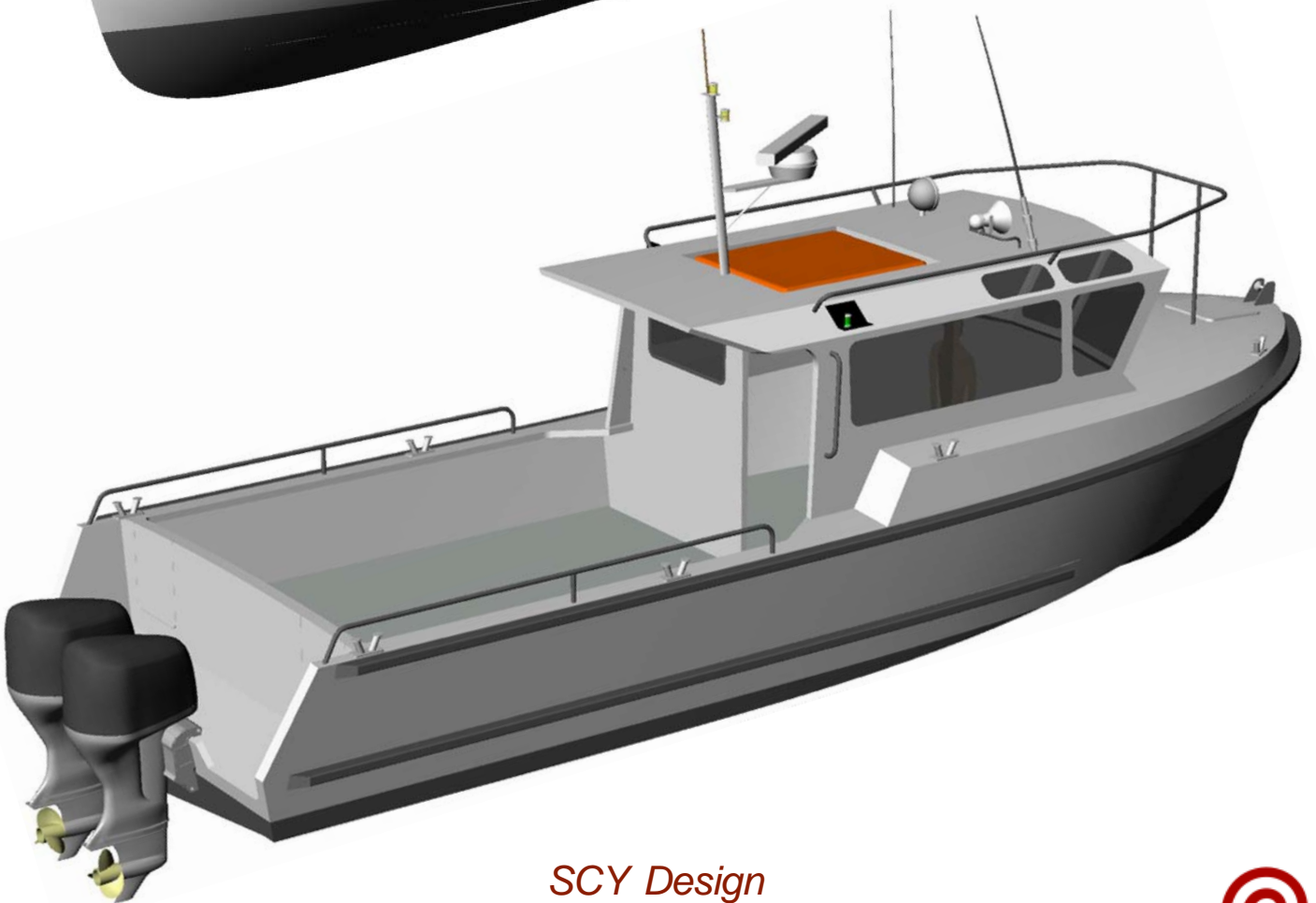


SCY Design

48 Sweetgum St, Ashmore Qld 4214, Australia
Ph: (617) 5597 3521 www.scy.net.au



LightCraft *10m Workboat*



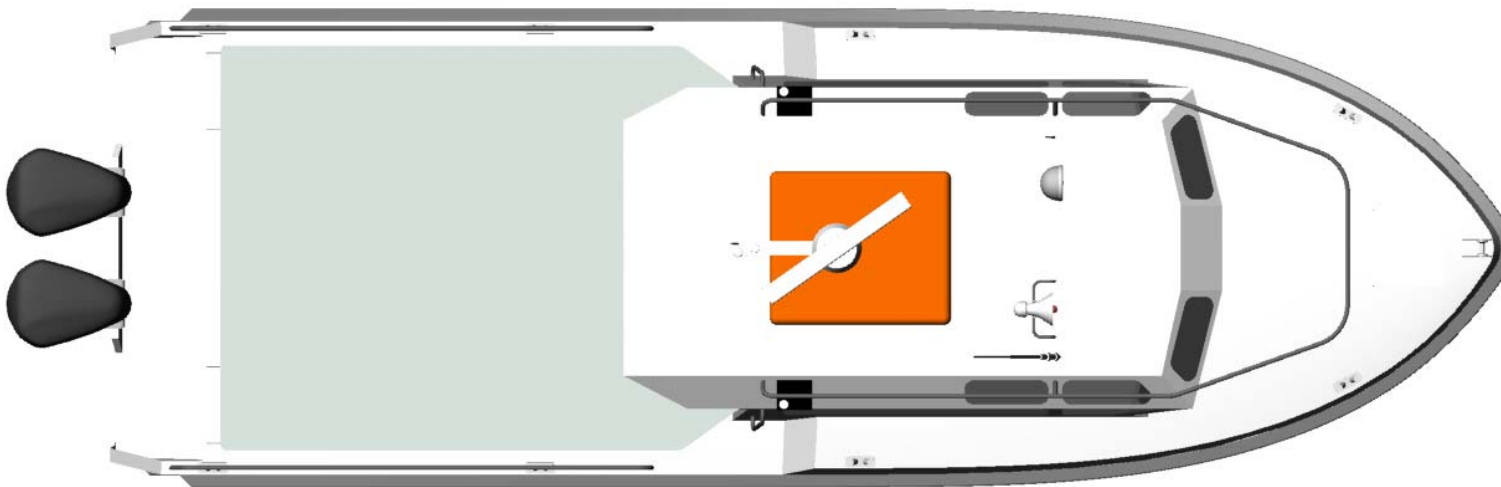
SCY Design

48 Sweetgum St, Ashmore Qld 4214, Australia
Ph: (617) 5597 3521 www.scy.net.au



LightCraft

10m Workboat



LOA : 10.8m
Lmoulded: 10.0m
LWL : 9.5m
Beam : 3.44m
Bmoulded : 3.25m
Draft : 0.45m
Deadrise: 15deg.

Class Standard :
DNV R3 Workboat
Survey : NSCV 2D
12+2

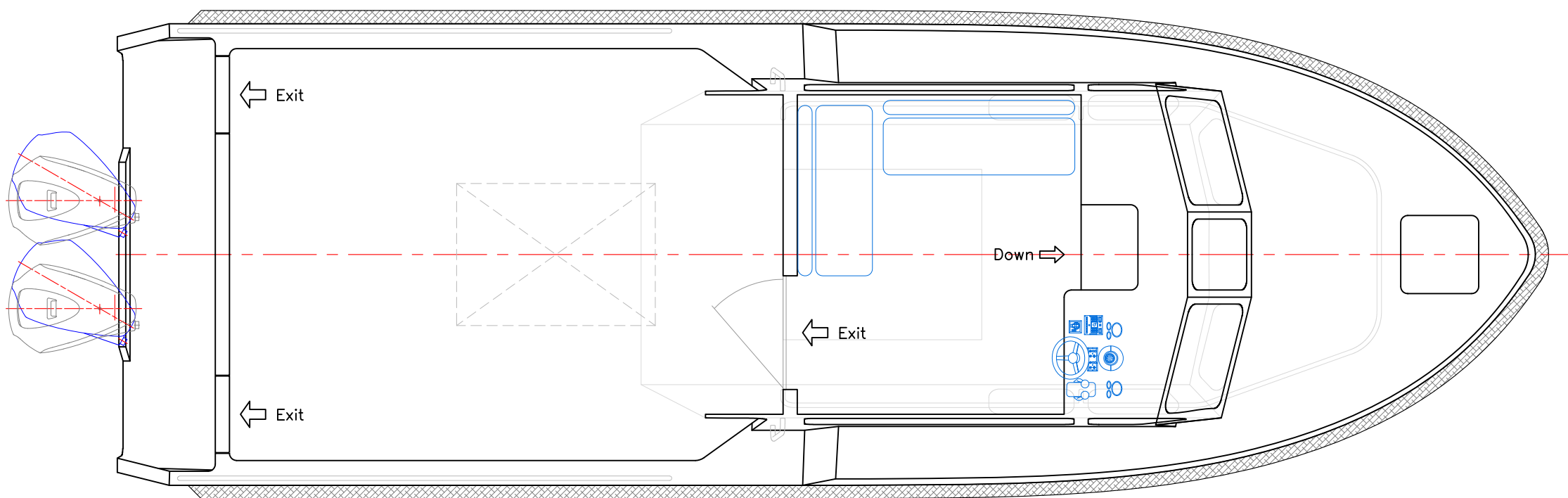
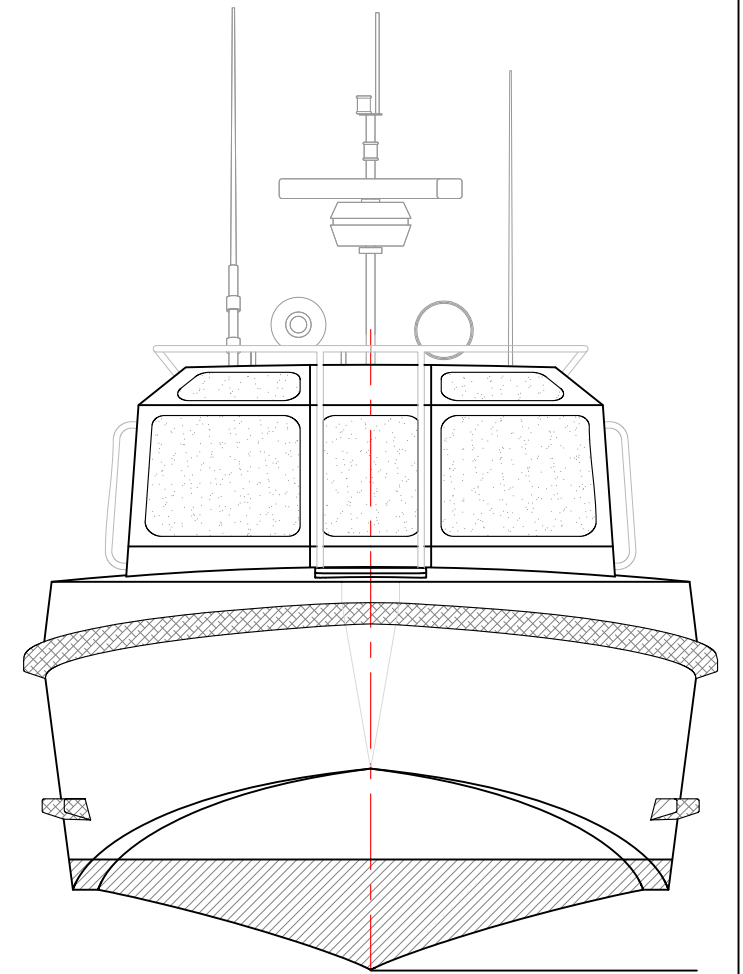
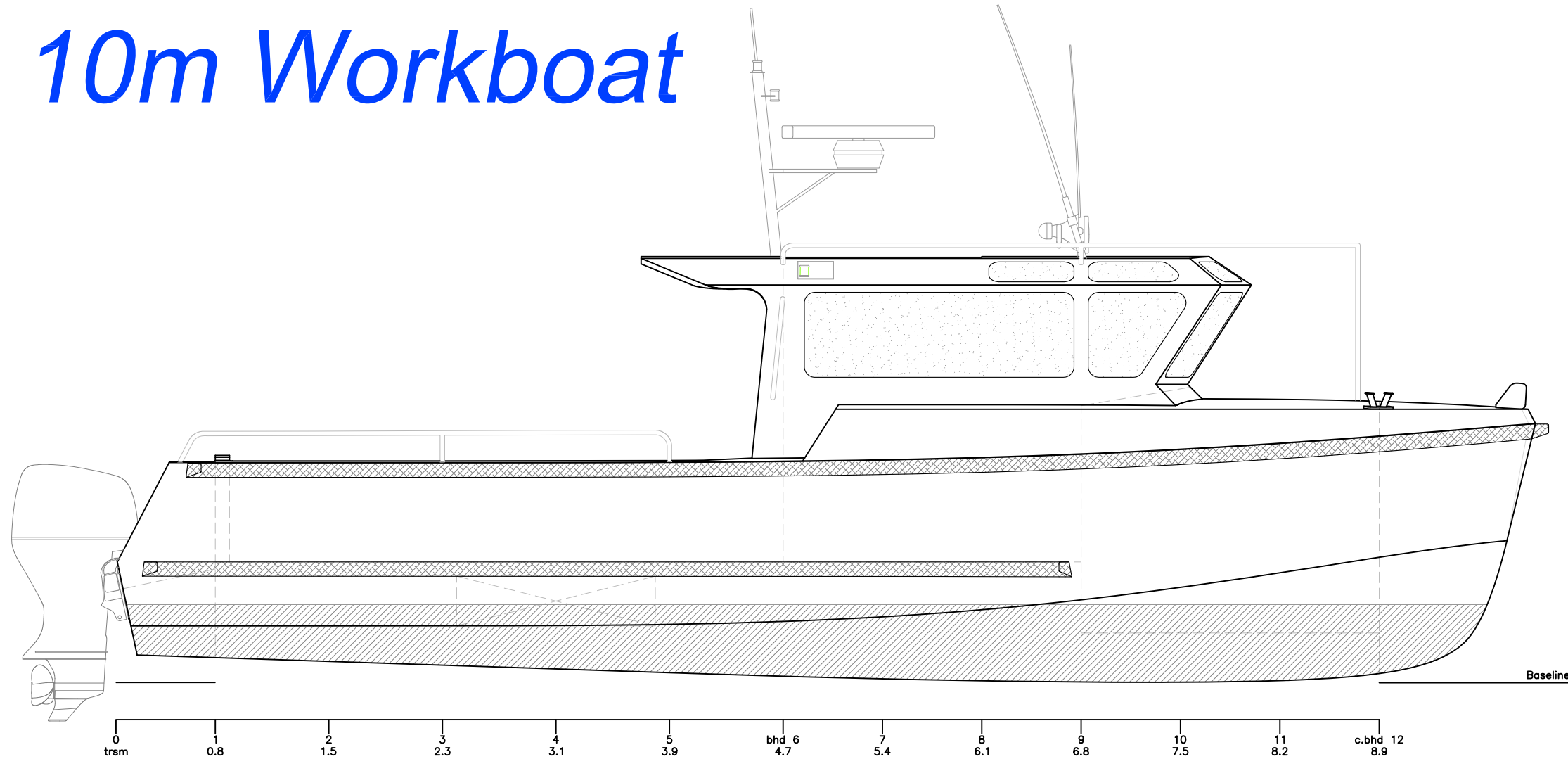
Construction :
Marine Grade Aluminium



SCY Design

48 Sweetgum St, Ashmore Qld 4214, Australia
Ph: (617) 5597 3521 www.scy.net.au

10m Workboat



PRINCIPAL PARTICULARS

LOA: 10.8m
 Lmoulded: 10.0
 Lwl: 9.5m
 BEAM: 3.25m
 DRAFT: 0.45m
 SPEED: 35knots (1t dwt,100% MCR)
 25knots (1t dwt,60% MCR)
 FUEL: 460lts
 POWER: 2x250hp
 PAX: 2 + 12
 Cargo: 5.5t (vcg 0.75m above deck)

SURVEY: NSCV 2D

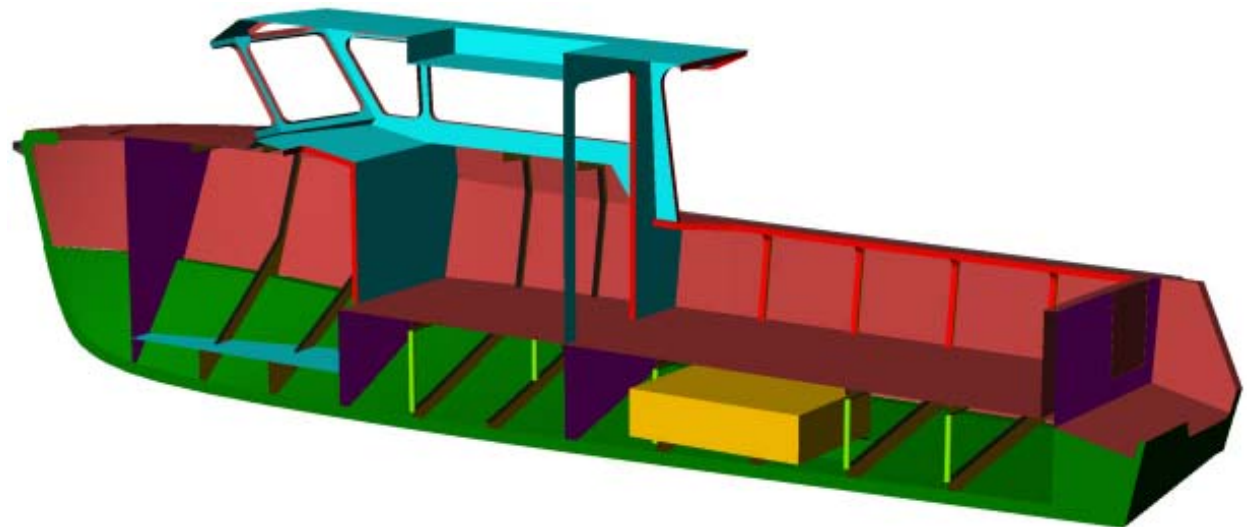
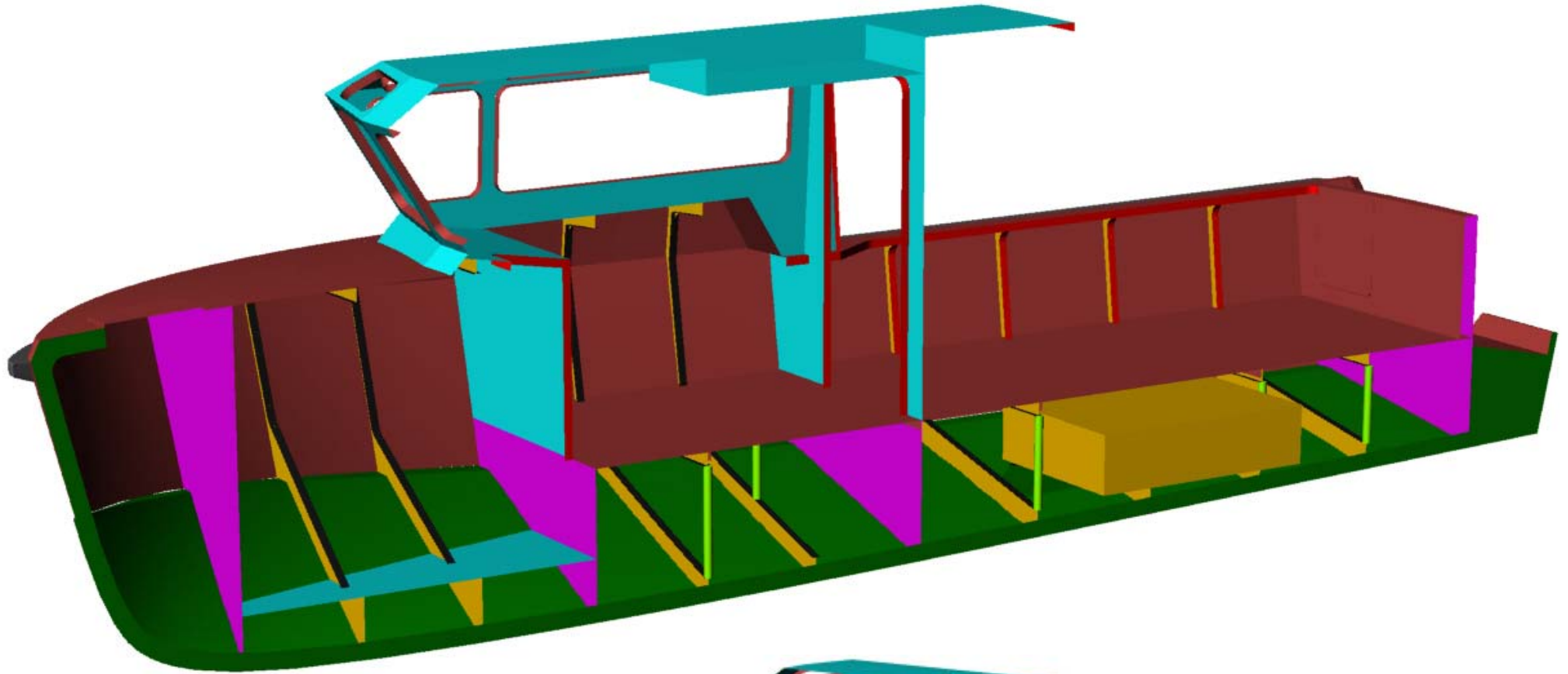
CONSTRUCTION:
 MARINE GRADE ALUMINIUM

LightCraft
 Aluminium Workboats

VESSEL: 10m 12pax Workboat
 TITLE: GENERAL ARRANGEMENT
 DWG No: 10Wk-100 DATE: 12/8/2018 SCALE: DRN: MDW

SCY Design
 Consulting Naval Architects & Mechanical Engineers
 48 Sweetgum St, Ashmore, Queensland 4214, Australia
 Ph: 617 5597 3521 www.scy.net.au

COPYRIGHT © THIS DRAWING AND THE INFORMATION CONTAINED HEREON IS SUPPLIED ON THE UNDERSTANDING THAT IT IS THE EXCLUSIVE PROPERTY OF SOUTHPORT CUSTOM YACHTS PTY. LTD. AND MUST NOT BE USED OR REPRODUCED IN WHOLE OR IN PART WITHOUT PERMISSION IN WRITING.



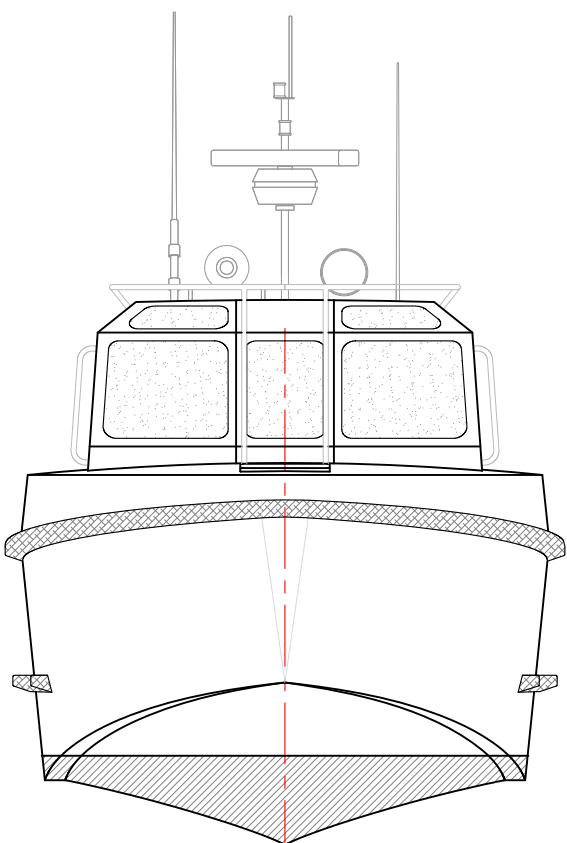
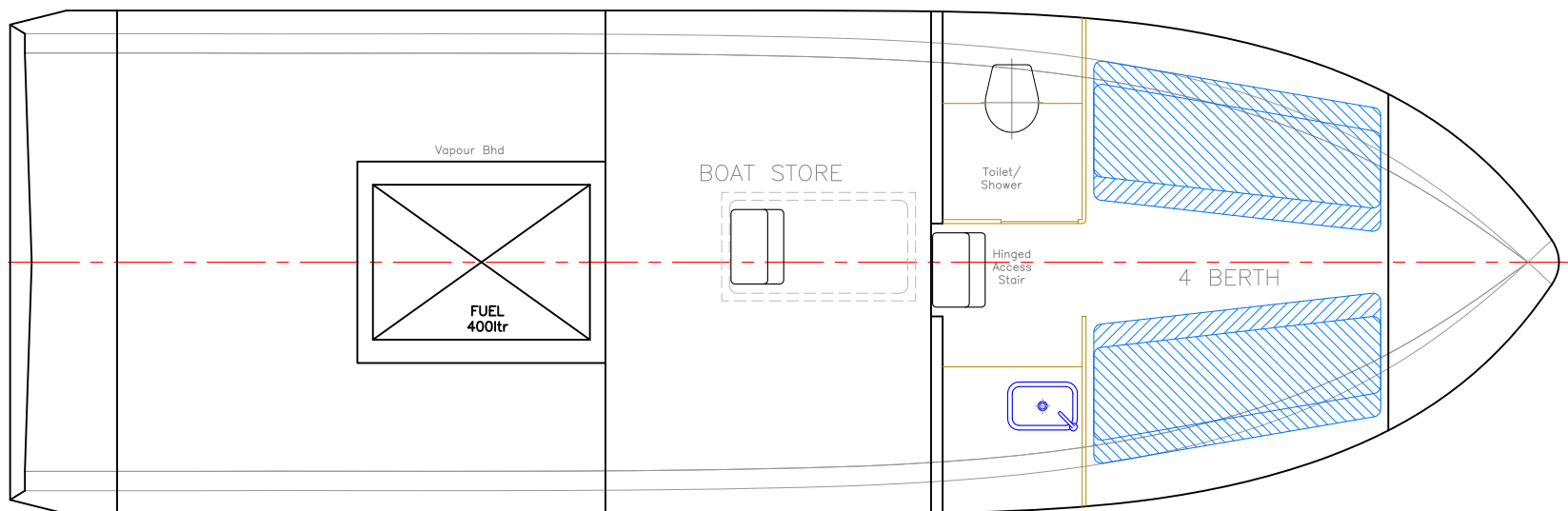
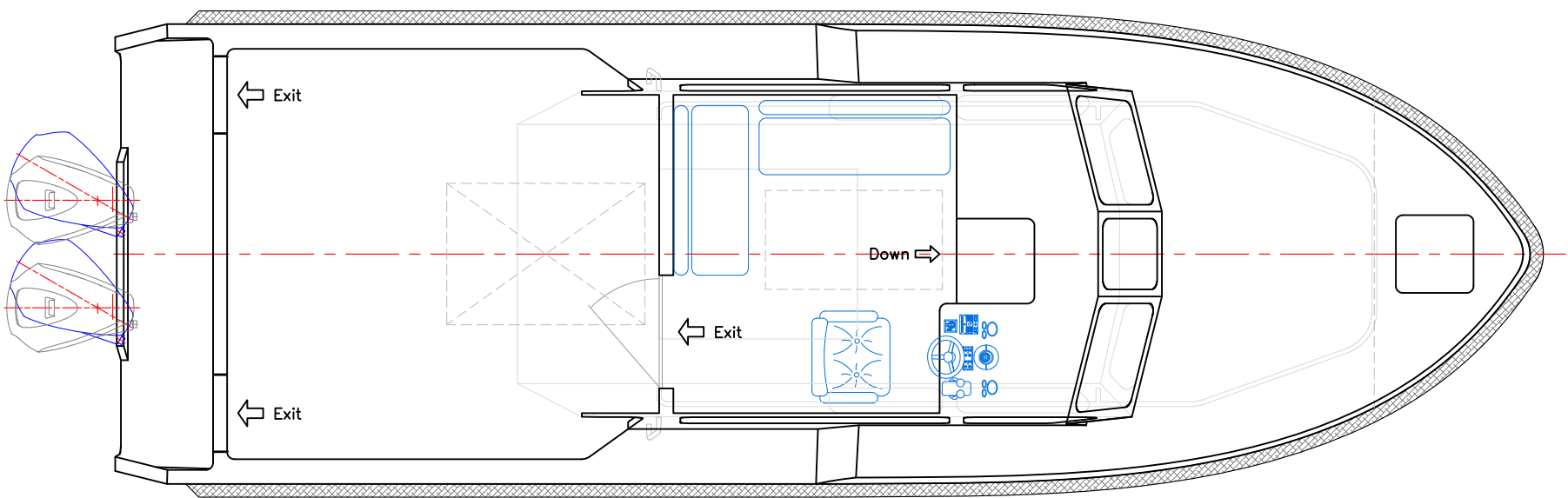
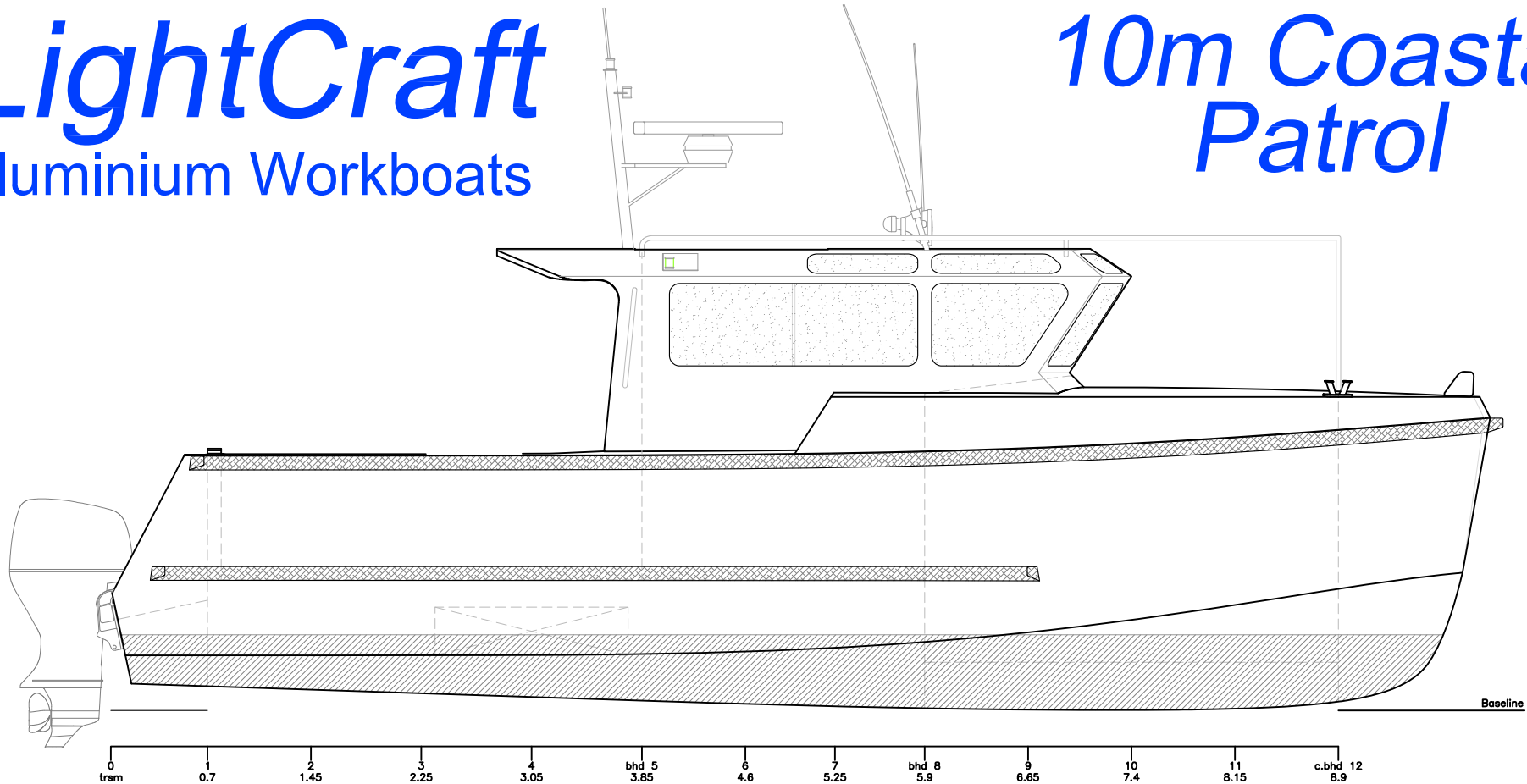
SCY Design

48 Sweetgum St, Ashmore Qld 4214, Australia
Ph: (617) 5597 3521 www.scy.net.au

LightCraft

Aluminium Workboats

10m Coastal Patrol



PRINCIPAL PARTICULARS

LOA: 10.8m
 Lmoulded: 10.0
 Lwl: 9.5m
 BEAM: 3.25m
 DRAFT: 0.45m
 SPEED: 33knots (1t dwt,100% MCR)
 23knots (1t dwt,60% MCR)
 FUEL: 400lts
 POWER: 2x250hp
 PAX: 2 + 12
 BERTHS: 4
 CARGO: 5.5t (vcg 0.75m above deck)

SURVEY: NSCV 2C

CONSTRUCTION:
 MARINE GRADE ALUMINIUM

VESSEL: 10m 12pax Coastal Patrol			
TITLE: GENERAL ARRANGEMENT			
DWG No: 10CP-100	DATE: 12/8/2018	SCALE:	DRN: MDW
COPYRIGHT © THIS DRAWING AND THE INFORMATION CONTAINED HEREON IS SUPPLIED ON THE UNDERSTANDING THAT IT IS THE EXCLUSIVE PROPERTY OF SOUTHPORT CUSTOM YACHTS PTY. LTD. AND MUST NOT BE USED OR REPRODUCED IN WHOLE OR IN PART WITHOUT PERMISSION IN WRITING.		SCY Design Consulting Naval Architects & Mechanical Engineers 48 Sweetgum St, Ashmore, Queensland 4214, Australia Ph: 617 5597 3521 www.scy.net.au	