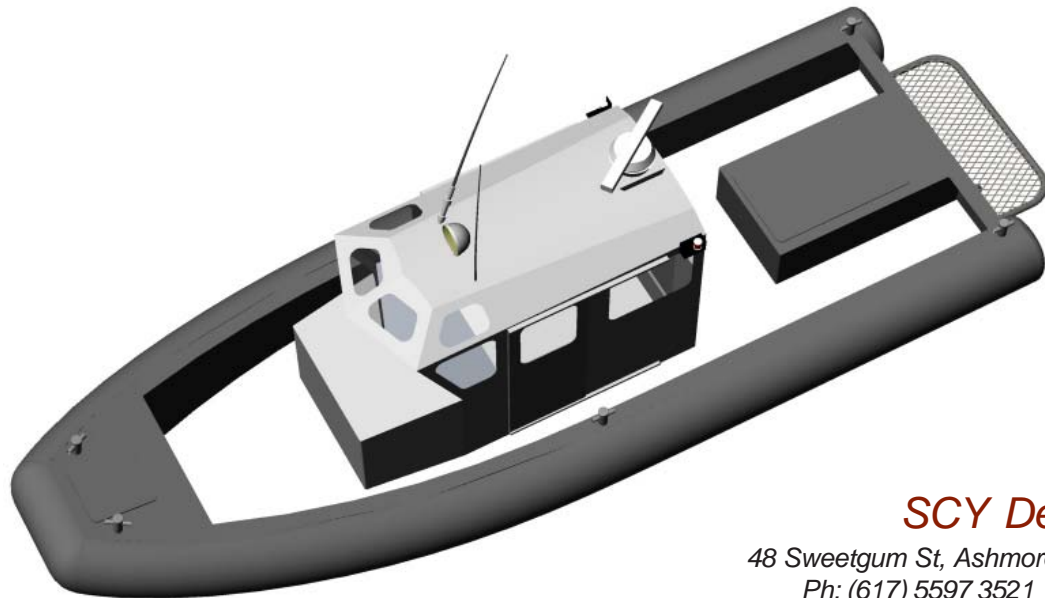


8m Harbour Patrol

LightCraft



SCY Design

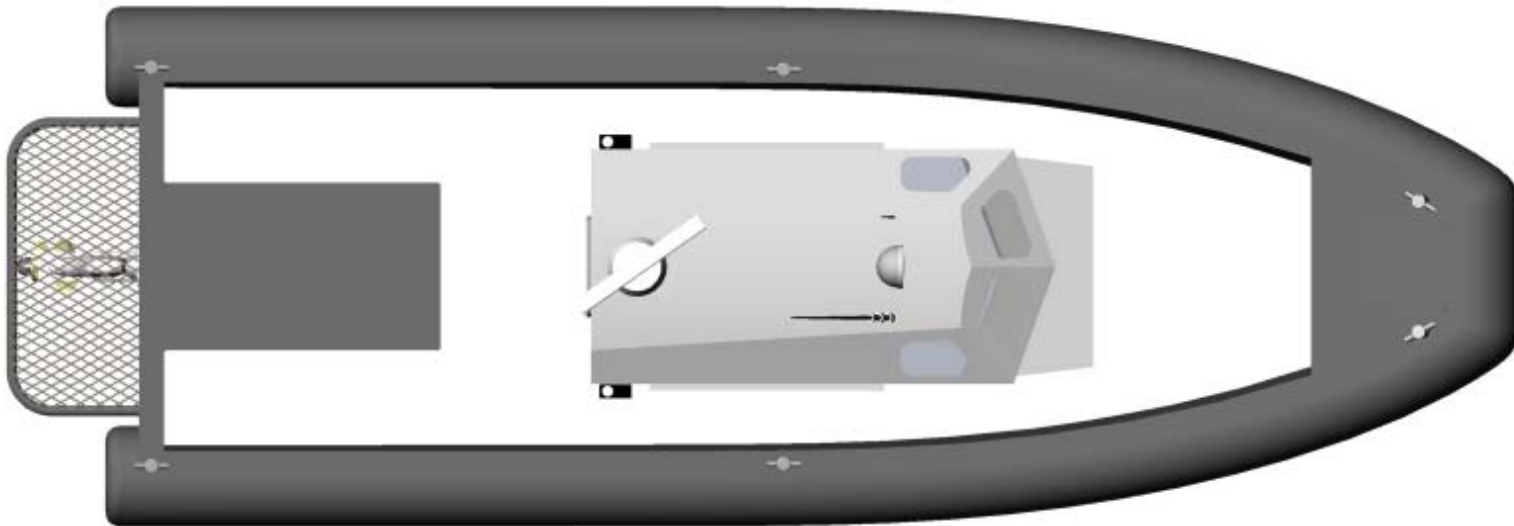
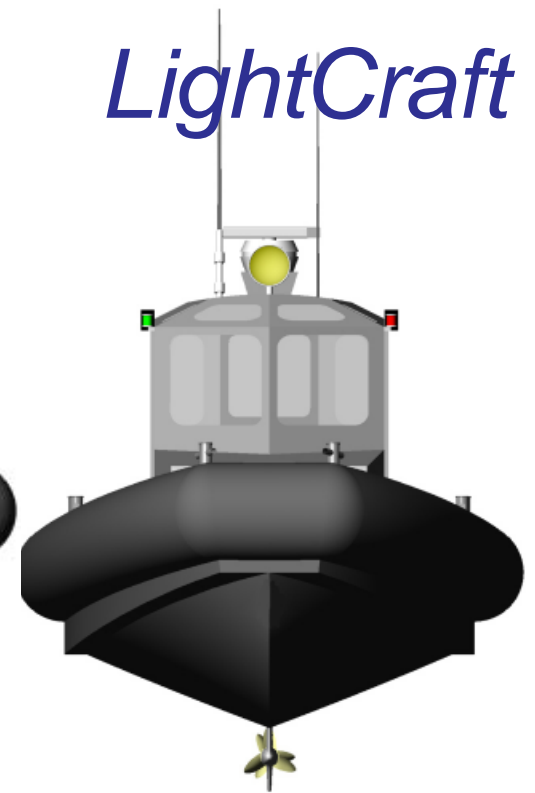
48 Sweetgum St, Ashmore Qld 4214, Australia
Ph: (617) 5597 3521 www.scy.net.au



8m Harbour Patrol



LightCraft



Lmoulded :	8.0m
LOA :	9.0m
LWL :	7.6m
Beam :	3.1m
Draft :	0.45m
Fuel :	500lts
Power :	1 x 250HP
Speed :	26 knots

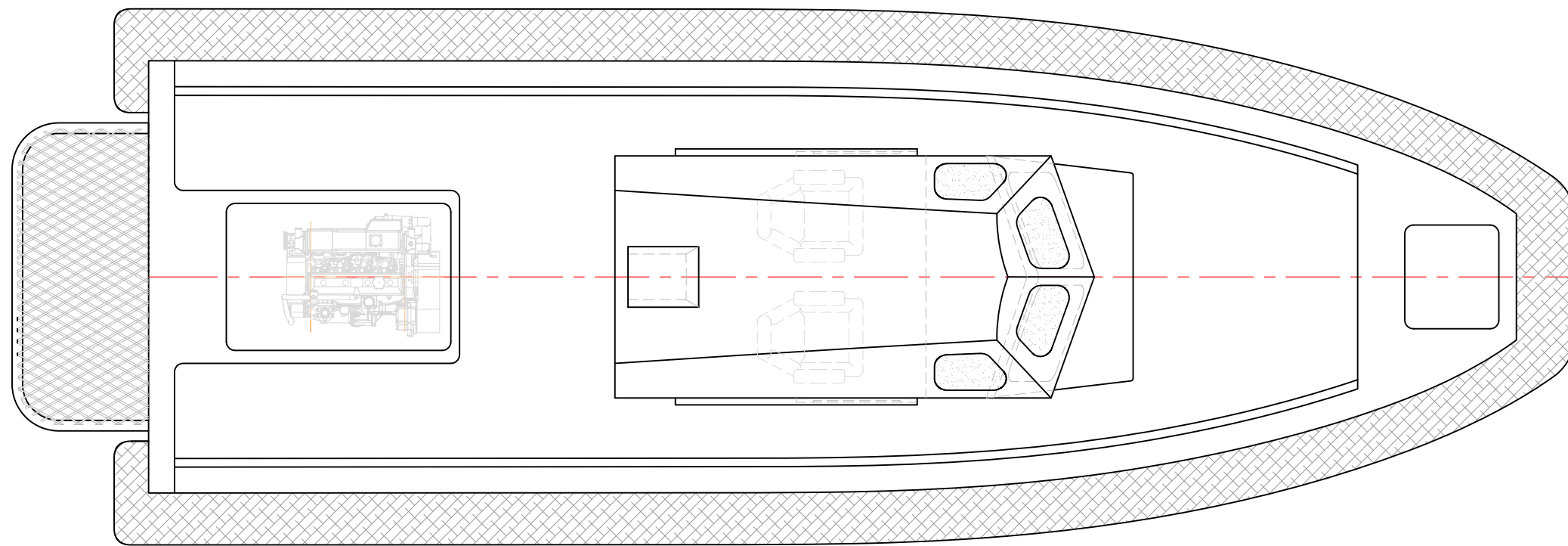
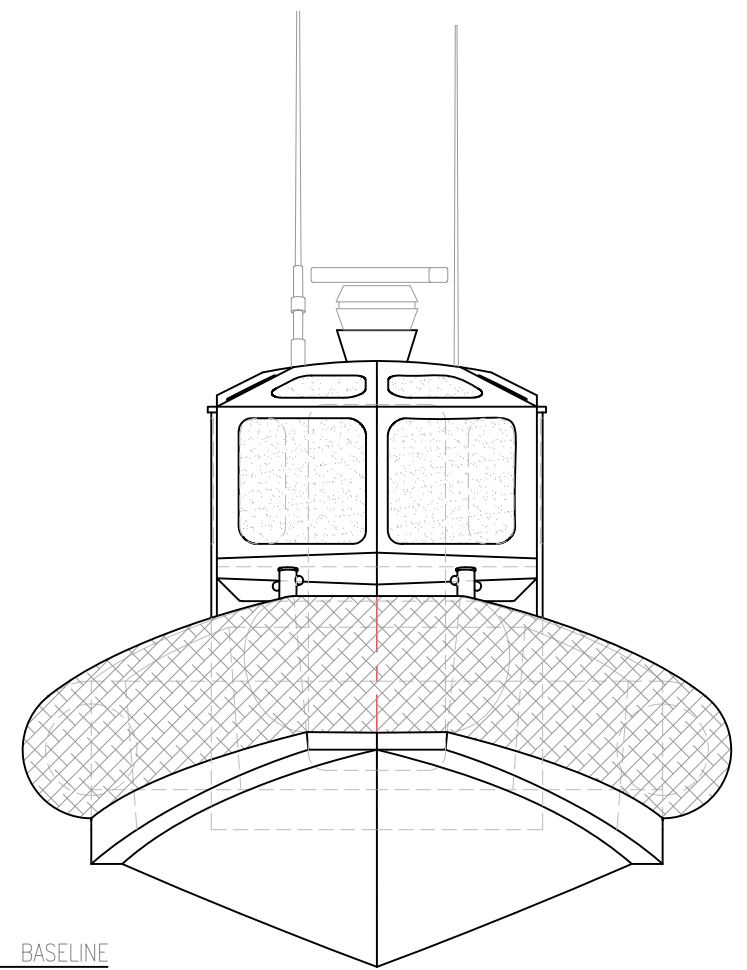
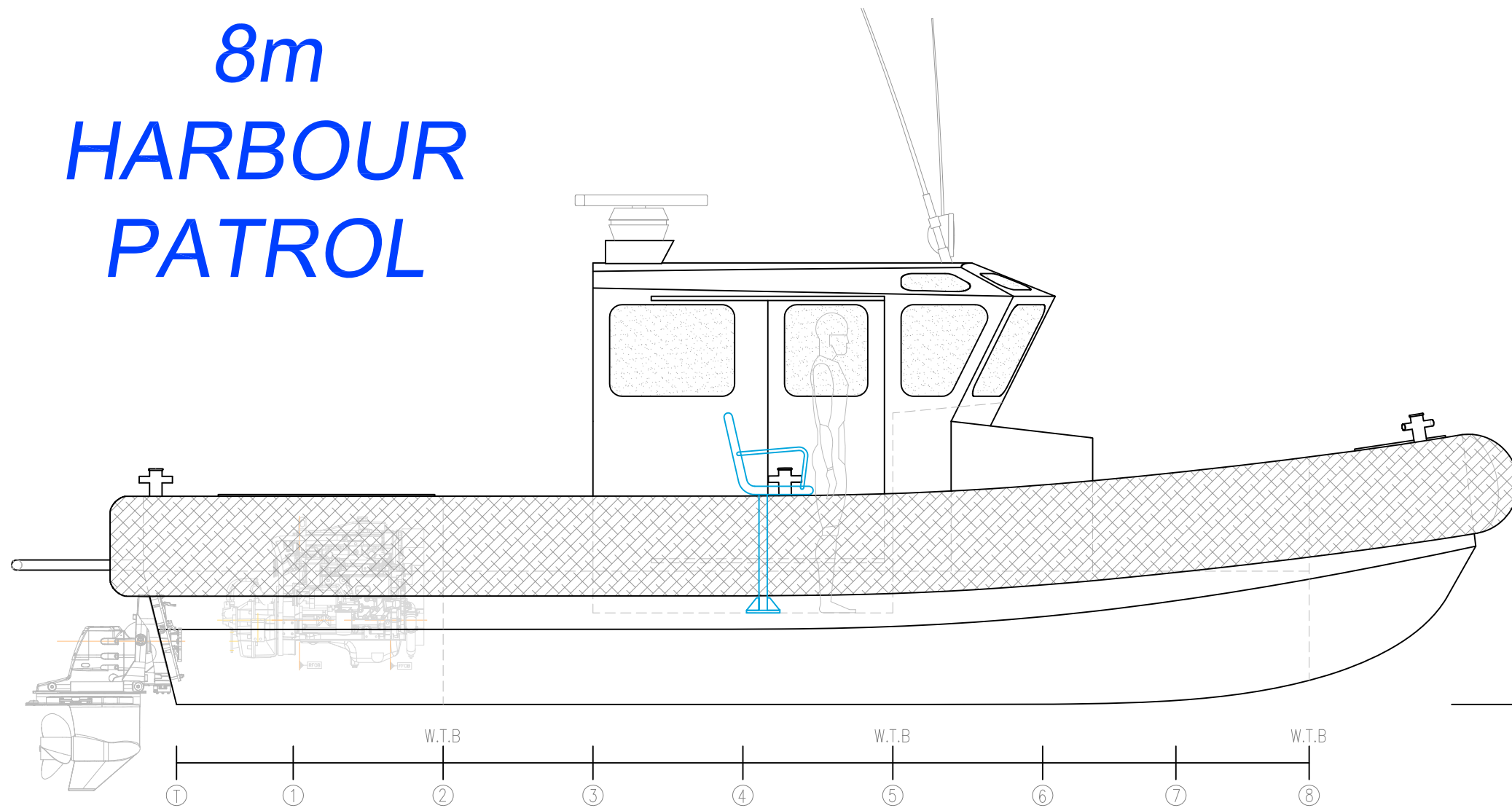
Class Standard
DNV R3 PATROL
Construction :
Marine Grade Aluminium
Composite Panels

SCY Design

48 Sweetgum St, Ashmore Qld 4214, Australia
Ph: (617) 5597 3521 www.scy.net.au



8m HARBOUR PATROL



PRINCIPAL PARTICULARS

Lmoulded: 8.0m
 LOA: 9.0m
 LWL: 7.6m
 BEAM: 3.1m
 DRAFT: 0.45m
 DEADRISE: 22degrees
 SPEED: 26knots
 FUEL: 500lts
 POWER: 1x250hp
 PAX: 2 + 8

CLASS STANDARD:
 DNV R3 PATROL

CONSTRUCTION:
 MARINE GRADE ALUMINIUM
 COMPOSITE PANELS

FENDER DETAIL:
 45mm EVA foam coated with
 6mm Elastomeric Polyurethane

LightCraft
 Aluminium Workboats

VESSEL: 8m HARBOUR PATROL

TITLE: GENERAL ARRANGEMENT

DWG No: HP8-100

DATE: 10/12/2008

SCALE:

DRAWN: MDW

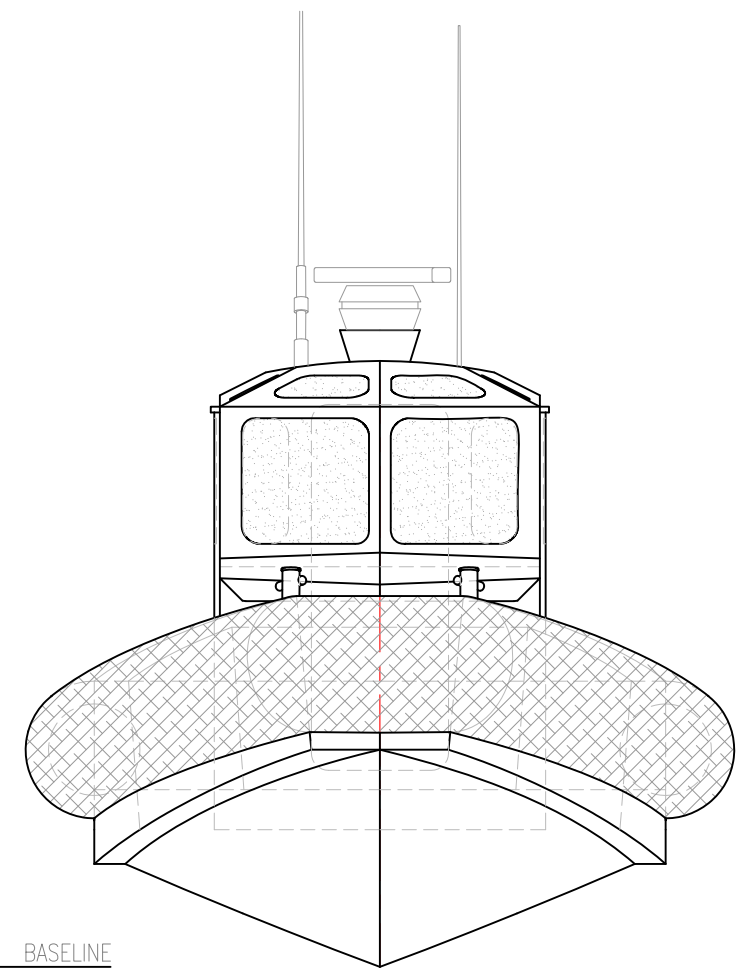
copyright ©

THIS DRAWING AND THE INFORMATION CONTAINED HEREON IS SUPPLIED ON THE UNDERSTANDING THAT IT IS THE EXCLUSIVE PROPERTY OF SOUTHPORT CUSTOM YACHTS PTY. LTD. AND MUST NOT BE USED OR REPRODUCED IN WHOLE OR IN PART WITHOUT PERMISSION IN WRITING.

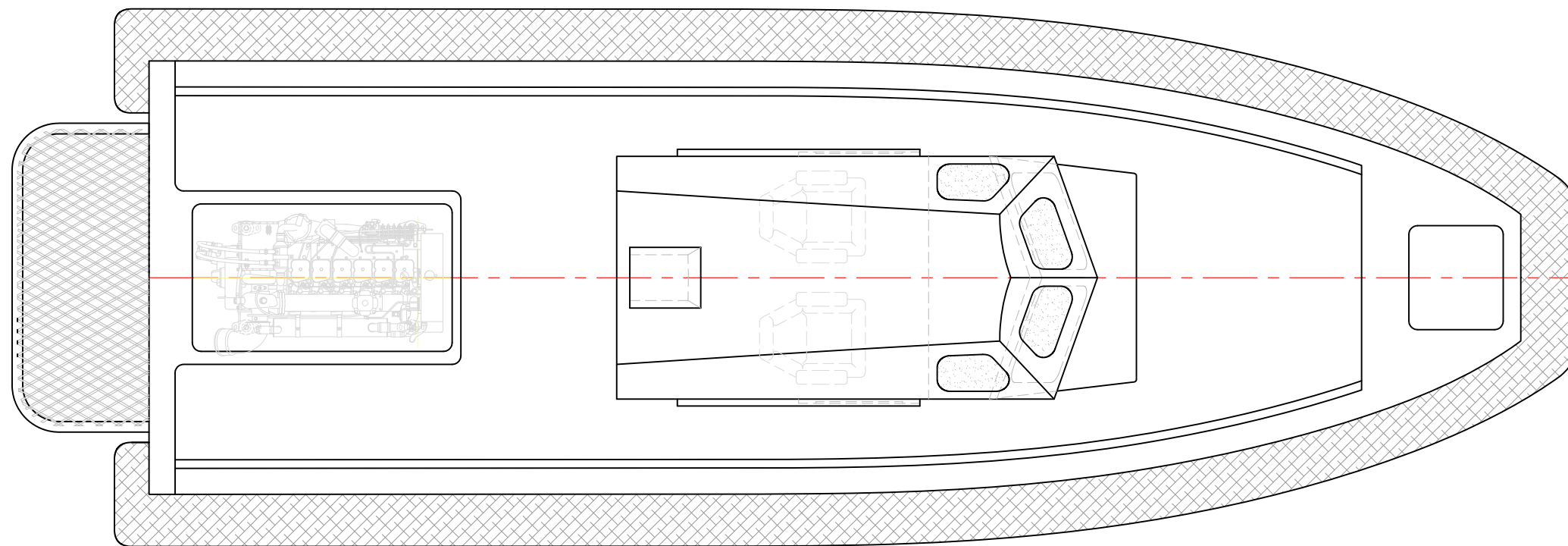
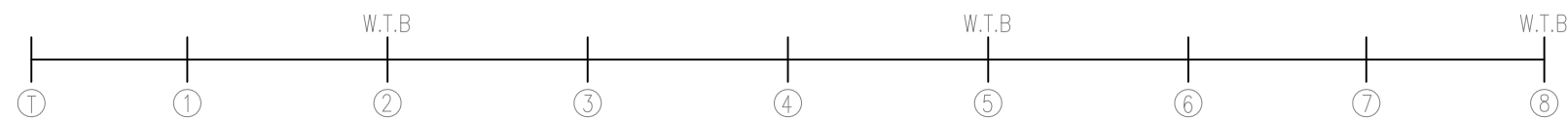
SCY Design
 Consulting Naval Architects & Mechanical Engineers

48 Sweetgum St, Ashmore, Queensland 4214, Australia
 Ph: 617 5597 3521 www.scy.net.au

8m HARBOUR PATROL



BASELINE



PRINCIPAL PARTICULARS

Lmoulded: 8.0m
 LOA: 9.0m
 LWL: 7.6m
 BEAM: 3.1m
 DRAFT: 0.45m
 DEADRISE: 22degrees
 SPEED: 32knots
 FUEL: 500lts
 POWER: 1x350hp
 PAX: 2 + 8

CLASS STANDARD:
 DNV R3 PATROL

CONSTRUCTION:
 MARINE GRADE ALUMINIUM
 COMPOSITE PANELS

FENDER DETAIL:
 45mm EVA foam coated with
 6mm Elastomeric Polyurethane

LightCraft
 Aluminium Workboats

VESSEL: 8m HARBOUR PATROL

TITLE: GENERAL ARRANGEMENT

DWG No: HP8-100

DATE: 10/12/2008

SCALE:

DRAWN: MDW

copyright ©

THIS DRAWING AND THE INFORMATION CONTAINED HEREON IS SUPPLIED ON THE UNDERSTANDING THAT IT IS THE EXCLUSIVE PROPERTY OF SOUTHPORT CUSTOM YACHTS PTY. LTD. AND MUST NOT BE USED OR REPRODUCED IN WHOLE OR IN PART WITHOUT PERMISSION IN WRITING.

SCY Design
 Consulting Naval Architects & Mechanical Engineers

48 Sweetgum St, Ashmore, Queensland 4214, Australia
 Ph: 617 5597 3521 www.scy.net.au