

LightCraft

12m Pilot / Workboat



Mark Williamson Design
48 Sweetgum St, Ashmore Qld 4214, Australia
Ph: (617) 5597 3521 www.mwdesign.net.au

LightCraft

12m Pilot / Workboat

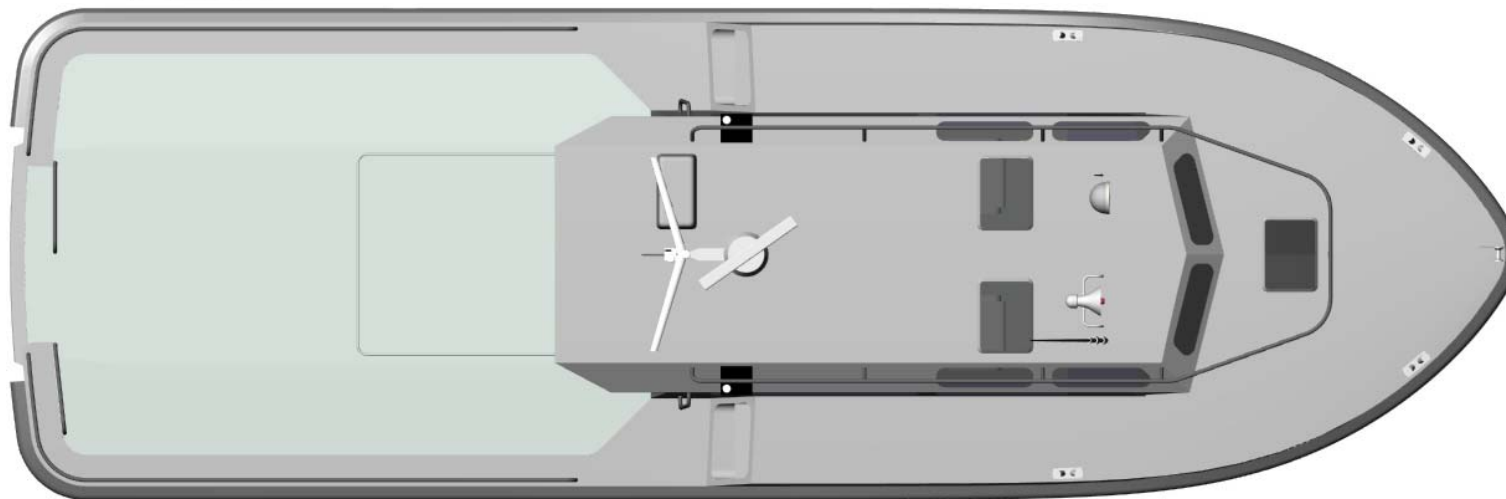


Mark Williamson Design
48 Sweetgum St, Ashmore Qld 4214, Australia
Ph: (617) 5597 3521 www.mwdesign.net.au



LightCraft

12m Pilot / Workboat



LOA : 12.2m
Lmoulded: 11.9m
LWL : 11.4m
Beam : 4.0m
Bmoulded : 3.7m
Draft : 1.0m
Deadrise: 15deg.

Class Standard :
DNV R3 Workboat
Survey : USL 2C
12+2

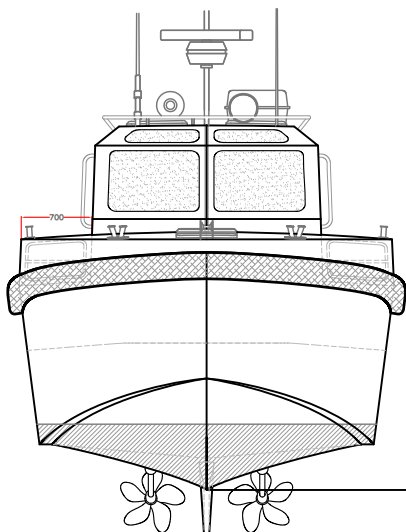
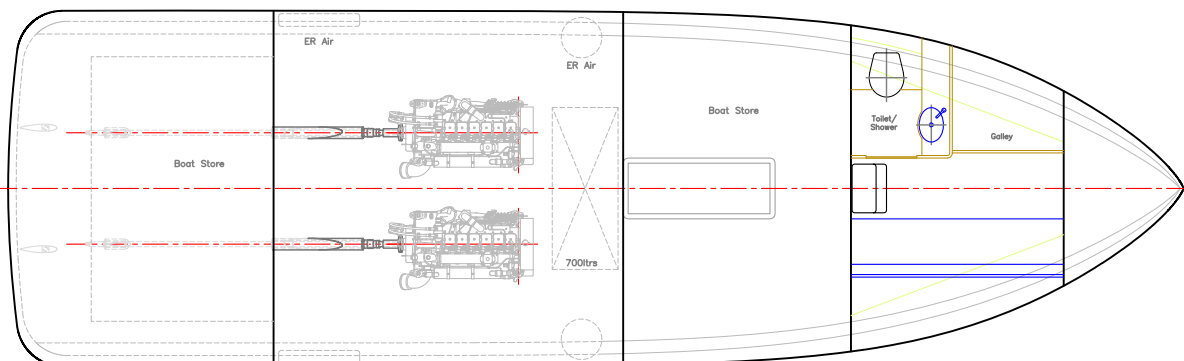
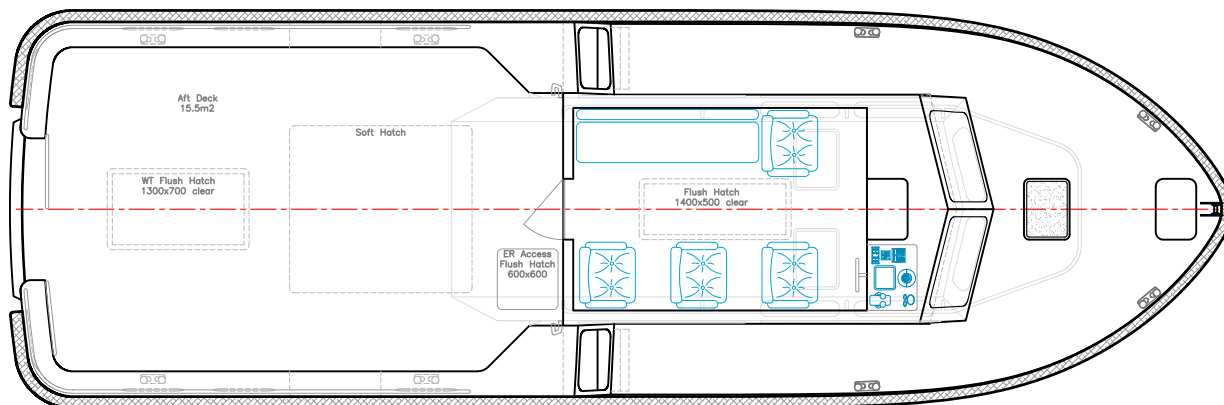
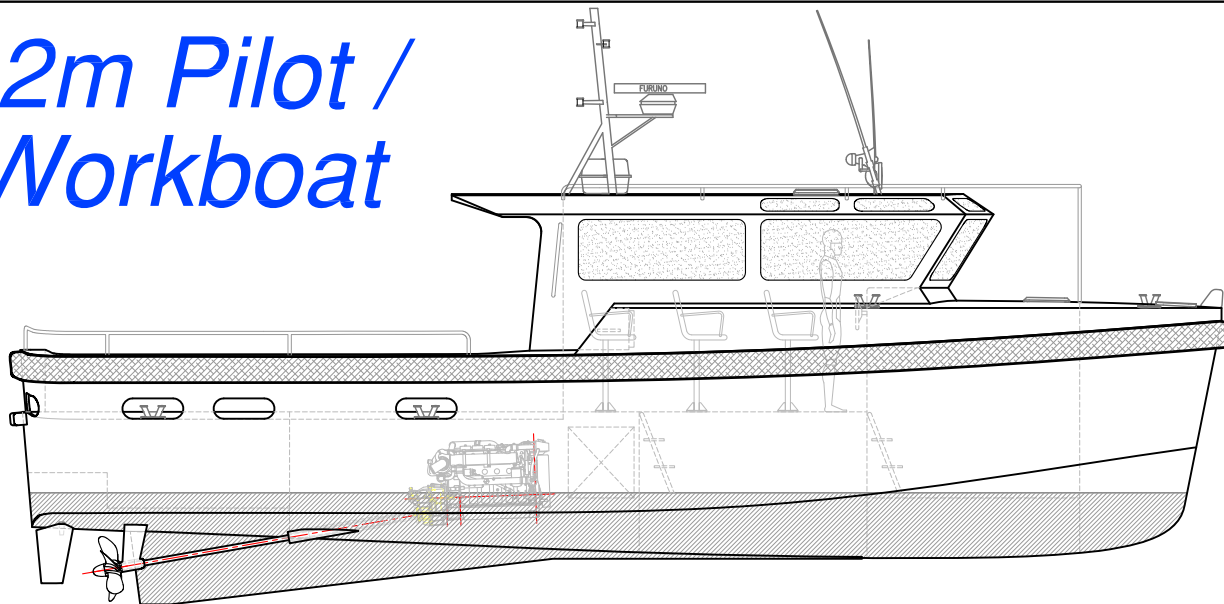
Construction :
Marine Grade Aluminium



Mark Williamson Design

48 Sweetgum St, Ashmore Qld 4214, Australia
Ph: (617) 5597 3521 www.mwdesign.net.au

12m Pilot / Workboat



LOA: 12.2m
 Lmoulded: 11.9m
 LWL: 11.4m
 BEAM: 4.0m
 Bmoulded: 3.7m
 DRAFT: 1.0m
 DEADRISE: 15deg.
 FUEL: 1x700trs

MAIN ENGINES: 2 x Cummins 6BTA5.9M
 315hp @ 2800rpm
 GEARBOX: 2 x ZF220a
 PROPELLER: 2 x 26"

SPEED-max: 28knots (1.3t dwt)
 SPEED-cruise: 18knots (1.3t dwt)
 RANGE-cruise: 400nm

CLASS STANDARD:
 DNV R3

SURVEY: USL2C
 12+2 Offshore Operations 30nm

CONSTRUCTION:
 MARINE GRADE ALUMINIUM

FENDER DETAIL:
 Hippo Marine CFT24
 Closed Cell Foam Coated with
 Elastomeric Polyurethane
 External dims 215x125

LightCraft
 aluminium workboats

VESSEL: 12m Pilot / Workboat
 TITLE: GENERAL ARRANGEMENT
 DWG No: 12PW DATE: 29/10/2010 SCALE: DRAWN: MDW

MARK WILLIAMSON DESIGN
 Consulting Naval Architects & Mechanical Engineers
 48 Sweetgum St, Ashmore, Queensland 4214, Australia
 Ph: 617 5597 3521 www.mwdesign.net.au

copyright ©

THIS DRAWING AND THE INFORMATION CONTAINED HEREON IS SUPPLIED ON THE UNDERSTANDING THAT IT IS THE EXCLUSIVE PROPERTY OF MARK WILLIAMSON DESIGN PTY. LTD. AND MUST NOT BE USED OR REPRODUCED IN WHOLE OR IN PART WITHOUT PERMISSION IN WRITING.