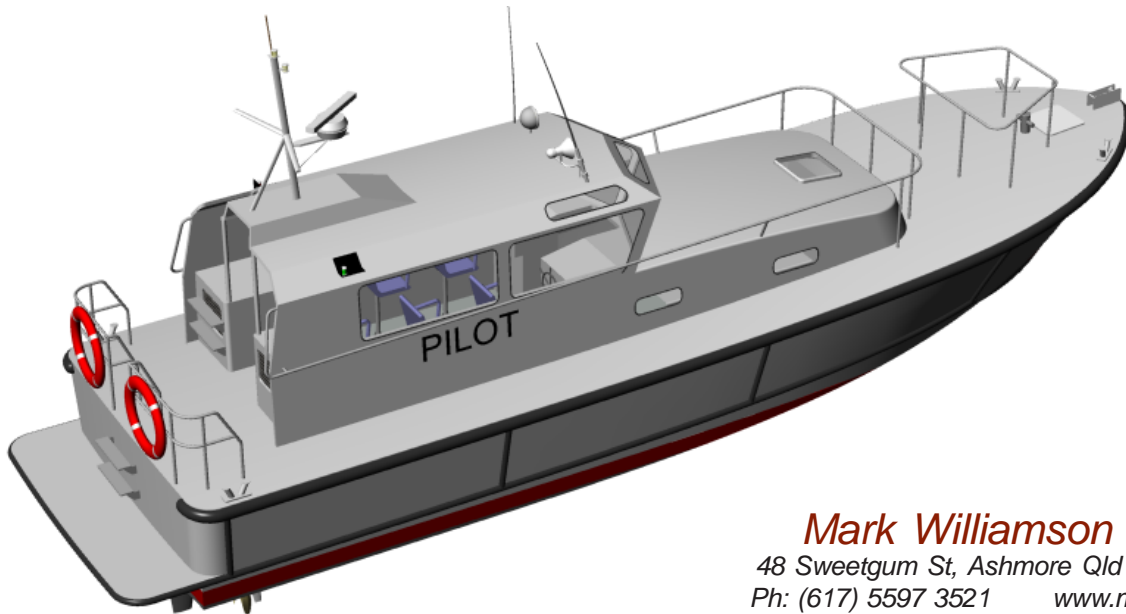
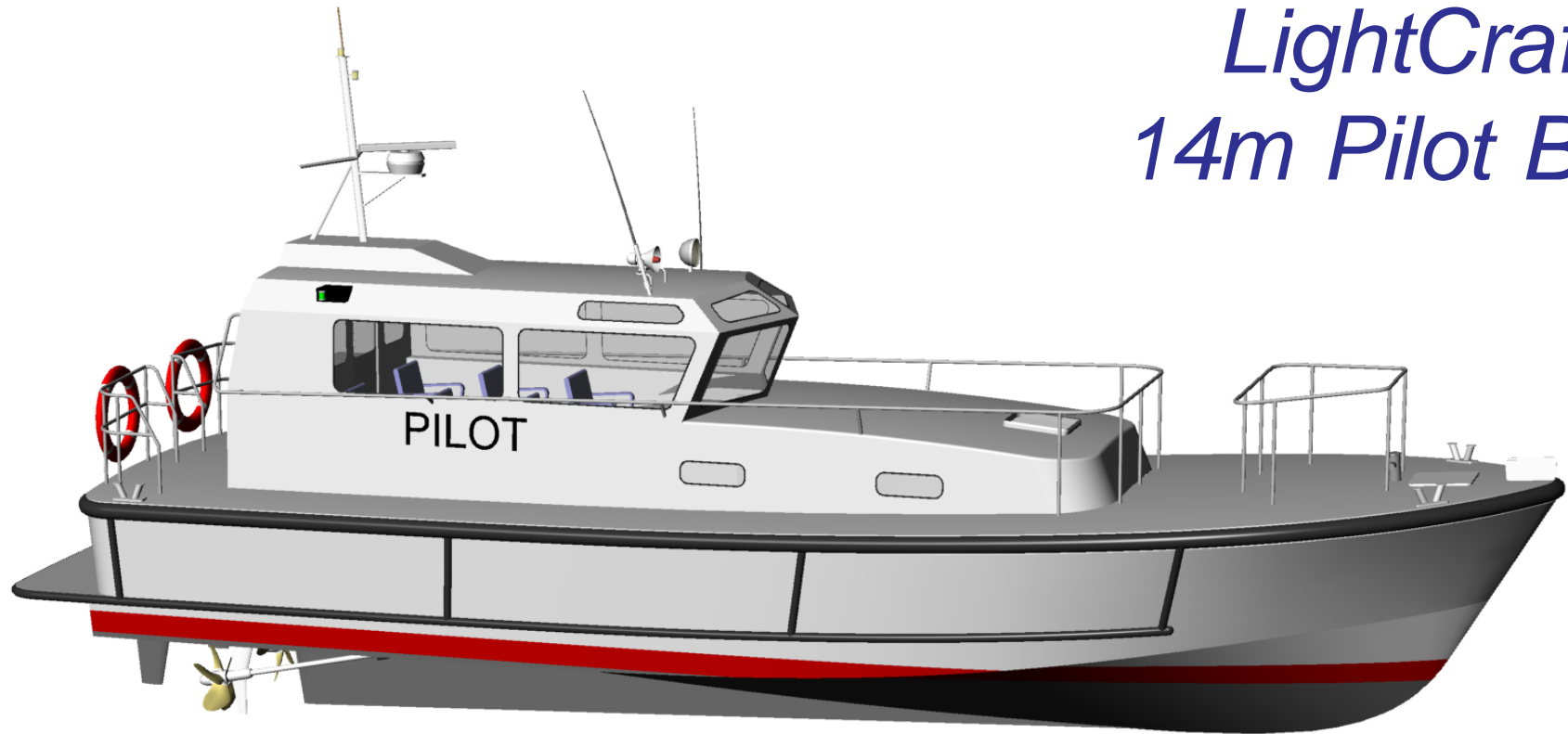


# *LightCraft* *14m Pilot Boat*



*Mark Williamson Design*  
48 Sweetgum St, Ashmore Qld 4214, Australia  
Ph: (617) 5597 3521      [www.mwdesign.net.au](http://www.mwdesign.net.au)

*LightCraft*

*14m Pilot Boat*

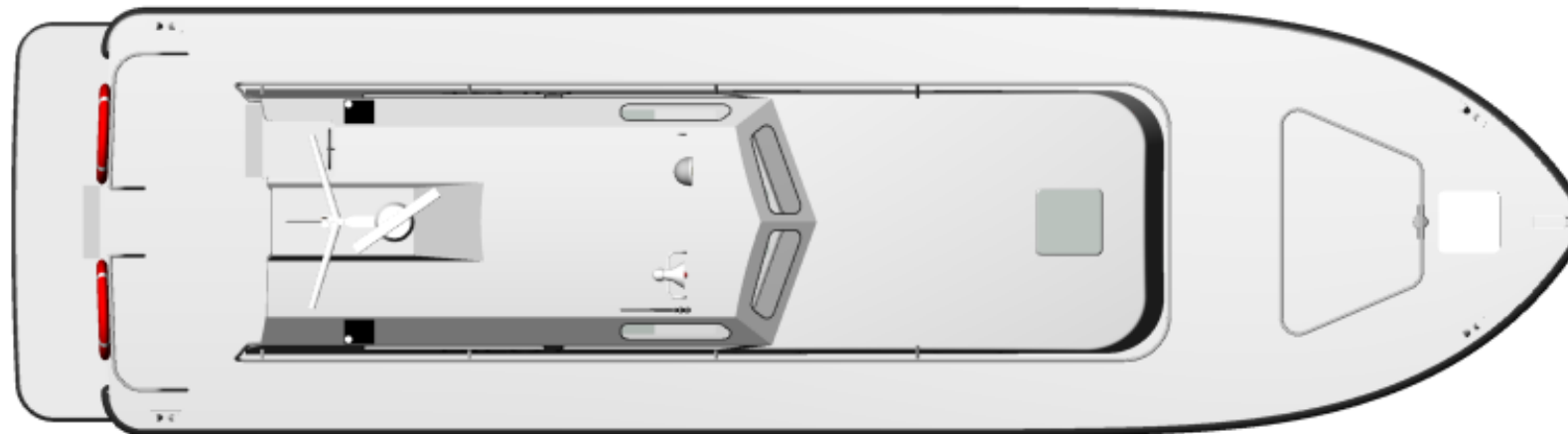
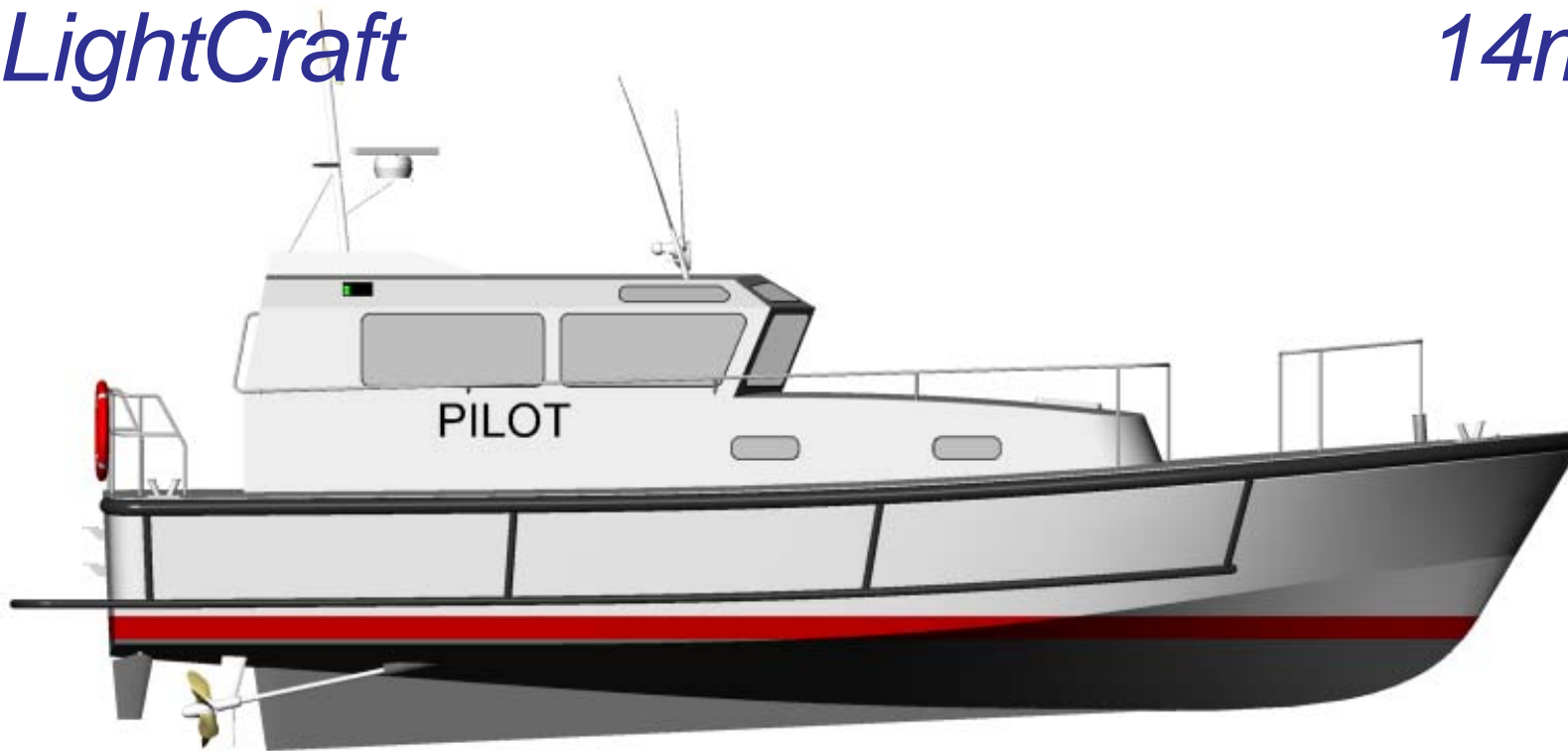


*Mark Williamson Design*

48 Sweetgum St, Ashmore Qld 4214, Australia  
Ph: (617) 5597 3521      [www.mwdesign.net.au](http://www.mwdesign.net.au)

# LightCraft

# 14m Pilot Boat



LOA : 14.0m  
Lmoulded: 13.2m  
LWL : 12.1m  
Beam : 4.0m  
Draft : 1.1m  
Deadrise (lcb): 20deg.  
Fuel : 2500lts  
Power : 2 x 298kW  
Speed : 24knots  
Range : 420Nm

Classification :  
Lloyds 100A1 SSC Pilot  
Mono, HSC, G3  
Survey : NSCV 2C

Construction :  
Marine Grade Aluminium



**Mark Williamson Design**  
48 Sweetgum St, Ashmore Qld 4214, Australia  
Ph: (617) 5597 3521 [www.mwdesign.net.au](http://www.mwdesign.net.au)

# Vessel Description

VESSEL TYPE: Aluminium semi-planing monohull

## PPRINCIPAL DATA:

|                     |                                       |
|---------------------|---------------------------------------|
| Length Overall      | 14.0 metres                           |
| Length WL           | 13.2 metres                           |
| Beam                | 4.0 metres                            |
| Draft               | 1.1 metres                            |
| Construction        | Marine Grade Aluminium                |
| Class Standard      | Lloyds 100A1 SSC Pilot, Mono, HSC, G3 |
| Survey              | NSCV 2C                               |
| Main Engines        | 2 x CUMMINS QSL9 298kW @ 2100rpm      |
| Gearbox             | 2 x ZF305-1A 2:1 ratio                |
| Propulsion          | 2 x 4 Blade FPP 27"x 25" BAR 0.87     |
| Auxiliary           | 17.5kVa                               |
| Maximum Speed       | 24.0 knots                            |
| Cruise Speed 60%MCR | 18.0 knots                            |
| Fuel Capacity       | 2 x 1250 litres                       |
| Range 100% MCR      | 340 Nm                                |
| Freshwater          | 200 litres                            |
| Crew                | 2                                     |
| Personnel Capacity  | 12                                    |

## STRUCTURE:

Materials (to be inspected as required by Survey Authority and Owners Representative):  
Sheet and Plate - Grade 5083-H321, H116, 5086-H32. Extrusions - Grade 6061-T6, 6082-T5

Plating: Bottom : 6mm Chine : 6mm Transom : 5mm Side : 5mm Collar : 4mm  
Deck, Gunwale : 4mm Deckhouse : 3mm

## OUTFIT AND FINISHING:

The vessel shall be laid out as per the general arrangement drawings and all fittings and equipment required for the operation of the vessel shall be supplied.

|         |            |   |
|---------|------------|---|
| Layout: | Main Deck: | Operations Room, Work Deck                  |
|         | Fwd Cabin: | Galley , Convertable Dining, Toilet, Shower |
| Fitout: | Floors:    | Rubber                                      |
|         | Lining's:  | PVC   |

## Noise Levels

The noise level at the centre of the wheelhouse shall not exceed 75 dB(A).



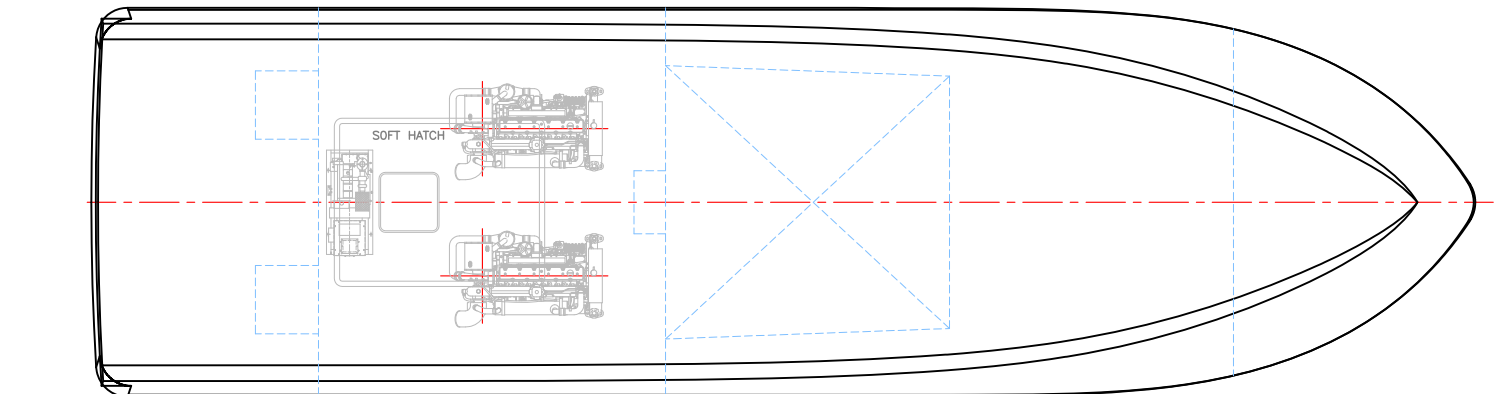
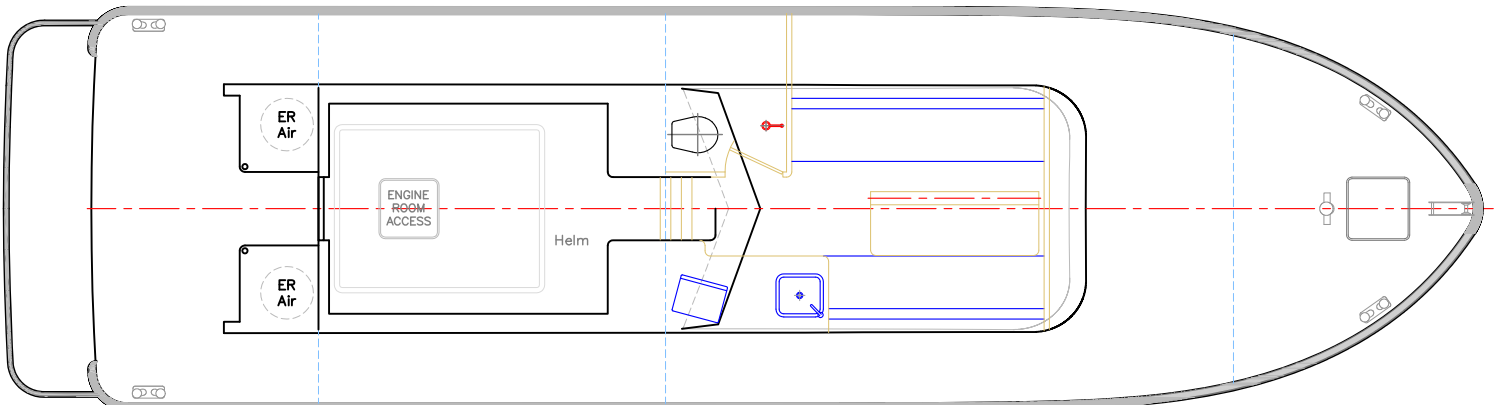
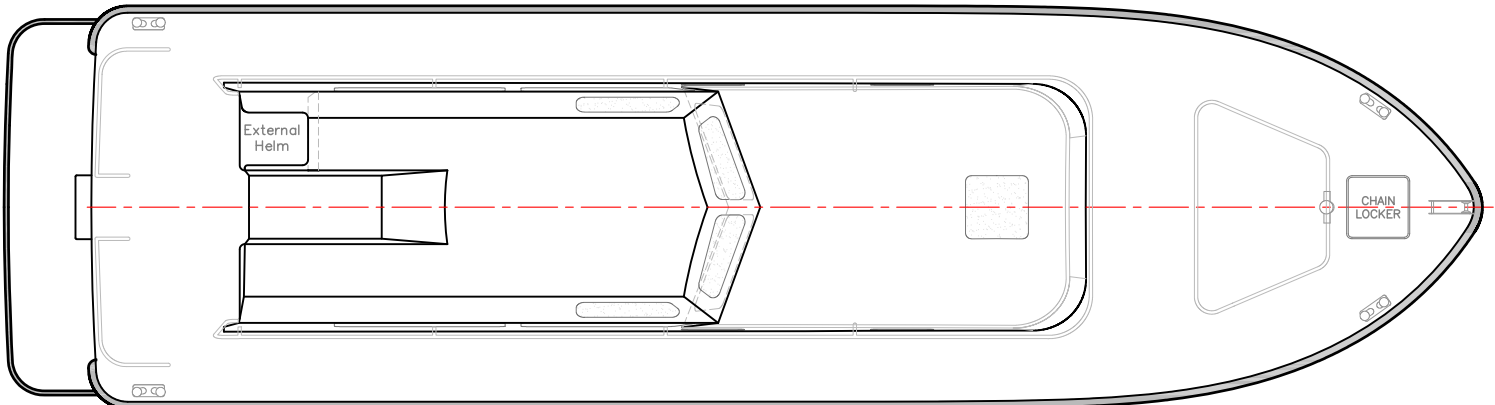
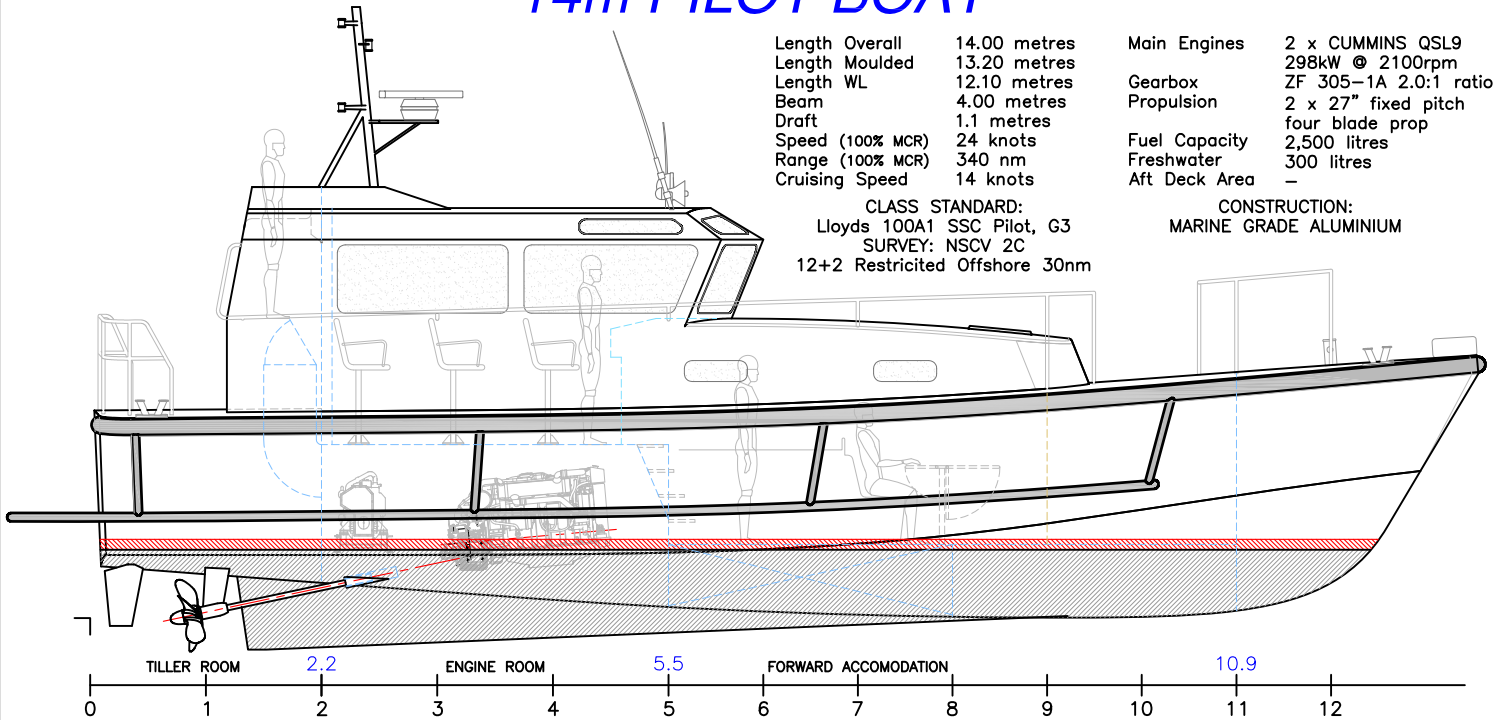
# 14m PILOT BOAT

Length Overall 14.00 metres  
 Length Moulded 13.20 metres  
 Length WL 12.10 metres  
 Beam 4.00 metres  
 Draft 1.1 metres  
 Speed (100% MCR) 24 knots  
 Range (100% MCR) 340 nm  
 Cruising Speed 14 knots

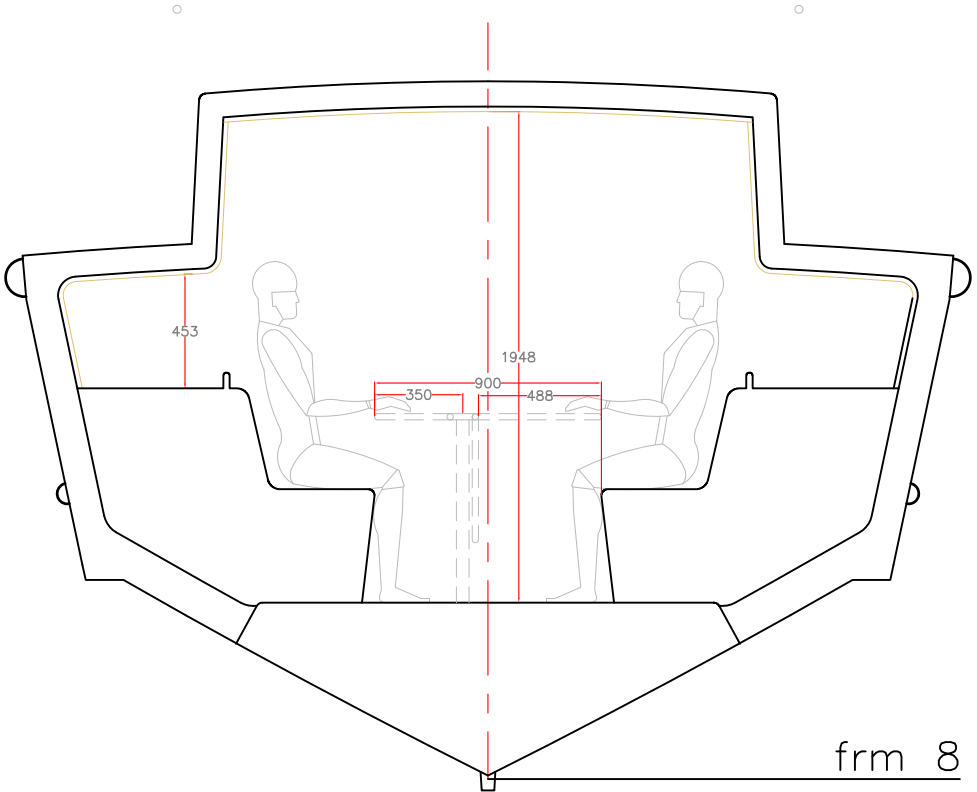
Main Engines 2 x CUMMINS QSL9  
 298kW @ 2100rpm  
 Gearbox ZF 305-1A 2.0:1 ratio  
 Propulsion 2 x 27" fixed pitch  
 four blade prop  
 Fuel Capacity 2,500 litres  
 Freshwater 300 litres  
 Aft Deck Area -

CLASS STANDARD:  
 Lloyds 100A1 SSC Pilot, G3  
 SURVEY: NSCV 2C  
 12+2 Restricted Offshore 30nm

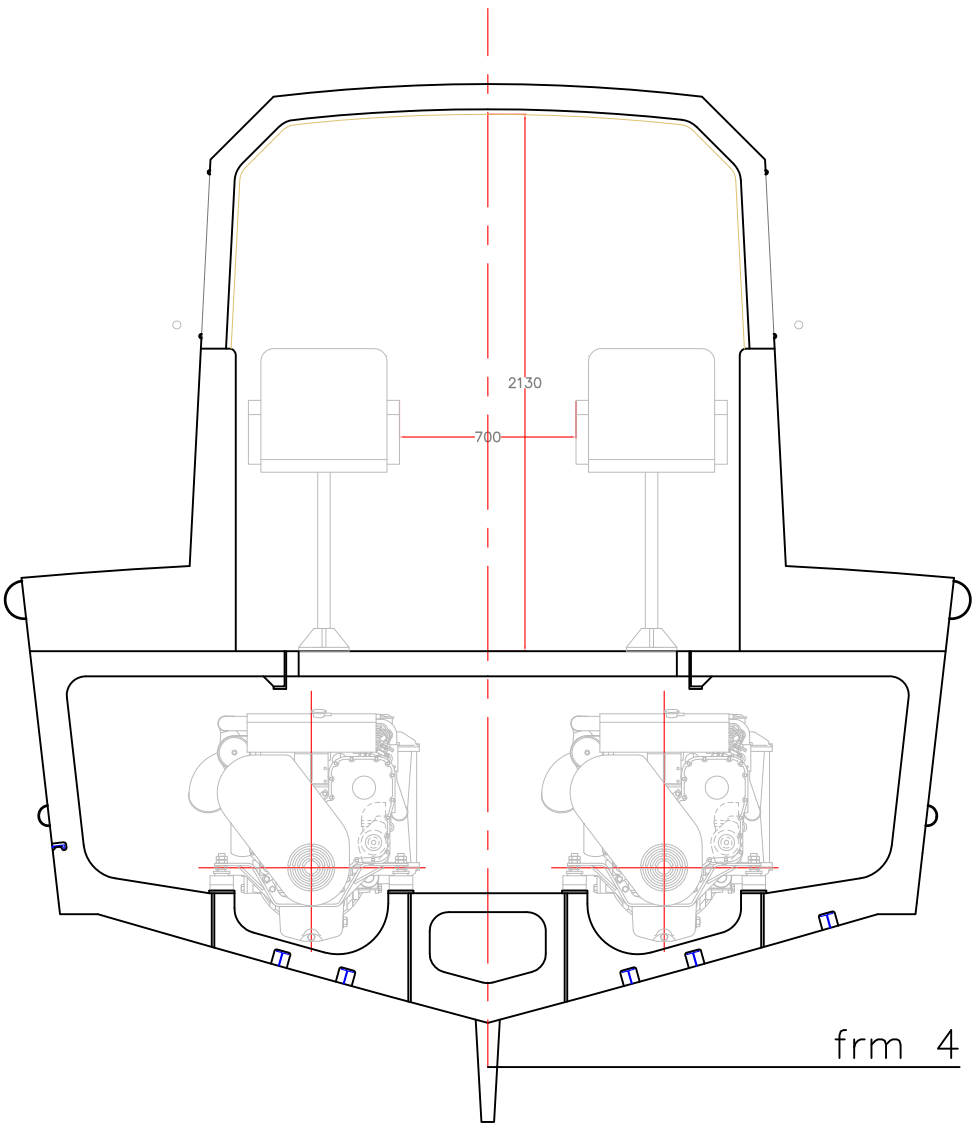
CONSTRUCTION:  
 MARINE GRADE ALUMINIUM



# 14m PILOT BOAT



frm 8



frm 4

**LightCraft**  
Aluminum Workboats

VESSEL: 14m Pilot Boat  
TITLE: Sections  
DMC No: P14\_100  
copyright ©

DATE: 12/5/2008  
SCALE: 1:30 A1  
DRAWN: MDW

**MARK WILLIAMSON DESIGN**  
Consulting Naval Architects & Mechanical Engineers  
48 Sweedgum St, Lameroo, Queensland 4214, Australia  
Ph: 617 5597 5521 www.mwdesign.net.au

THIS DRAWING AND THE INFORMATION CONTAINED HEREON IS SUPPLIED ON THE UNDERSTANDING THAT IT IS THE EXCLUSIVE PROPERTY OF MARK WILLIAMSON DESIGN PTY. LTD. AND MUST NOT BE USED OR REPRODUCED IN WHOLE OR IN PART WITHOUT PERMISSION IN WRITING.