

LightCraft

12.5m Landing Craft



SCY Design

48 Sweetgum St, Ashmore Qld 4214, Australia
Ph: (617) 5597 3521 www.scy.net.au

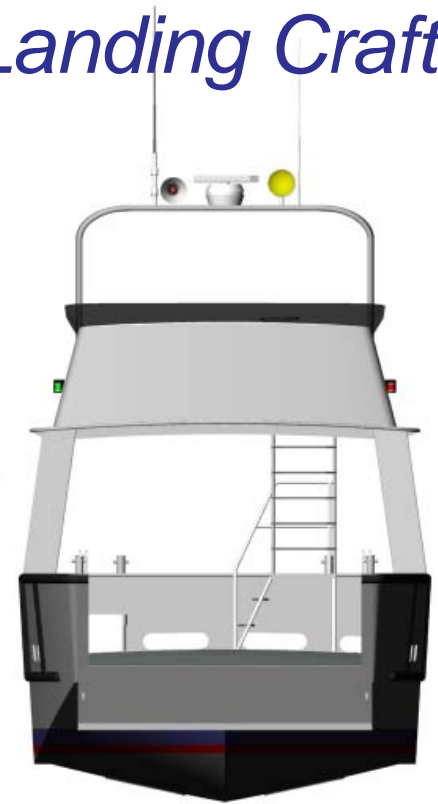
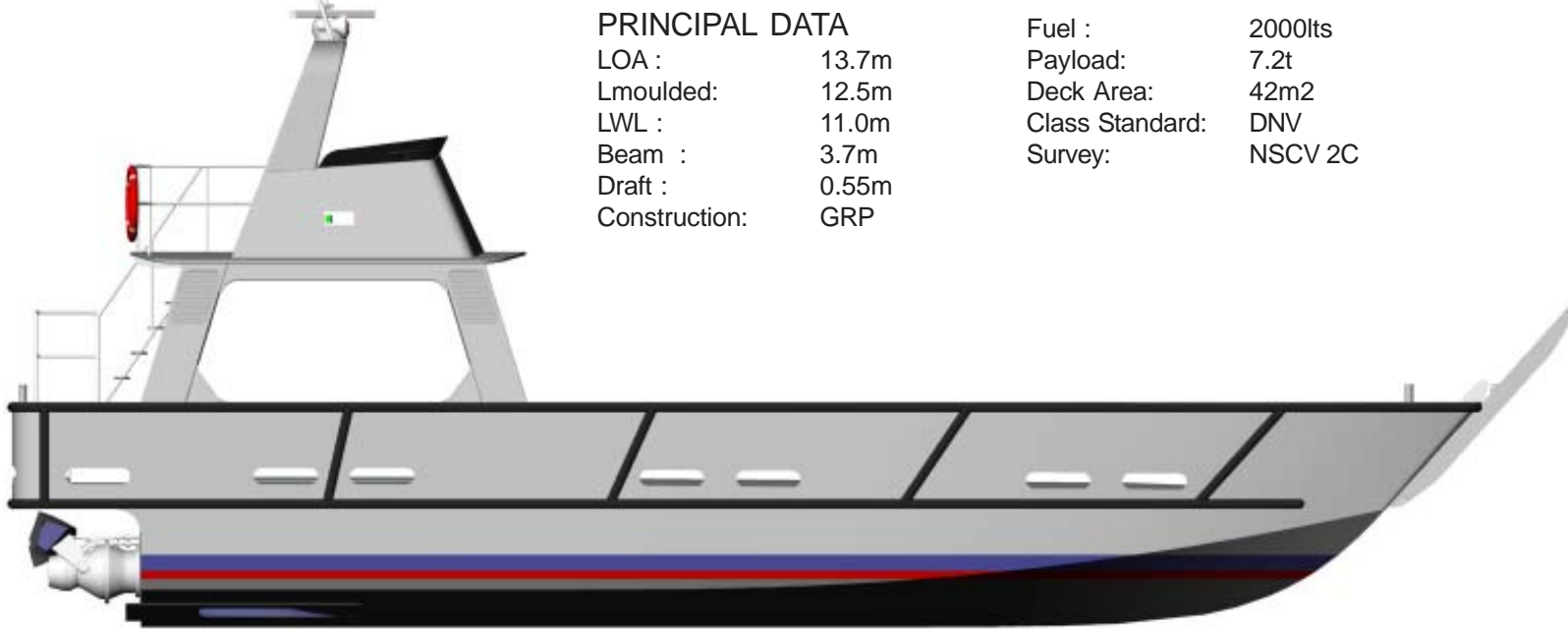
LightCraft

12.5m Landing Craft

PRINCIPAL DATA

LOA : 13.7m
Lmoulded: 12.5m
LWL : 11.0m
Beam : 3.7m
Draft : 0.55m
Construction: GRP

Fuel : 2000lts
Payload: 7.2t
Deck Area: 42m²
Class Standard: DNV
Survey: NSCV 2C



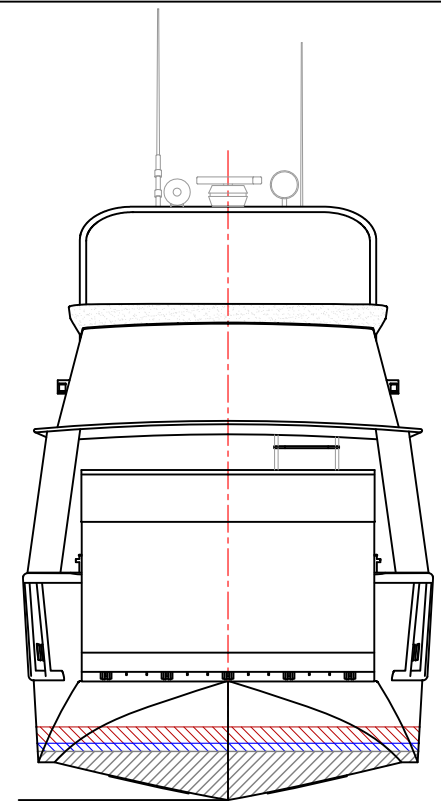
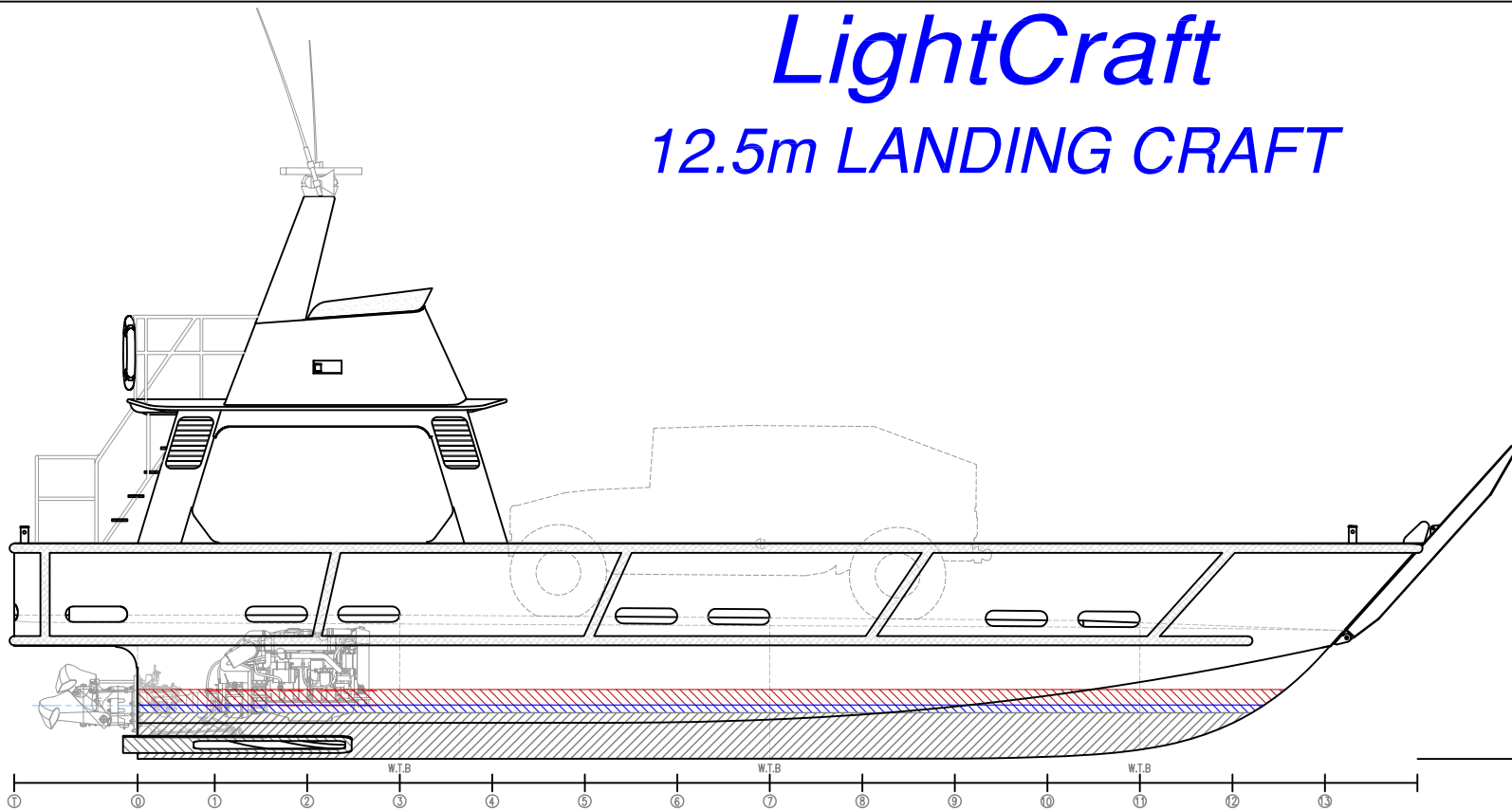
SCY Design

48 Sweetgum St, Ashmore Qld 4214, Australia
Ph: (617) 5597 3521 www.scy.net.au



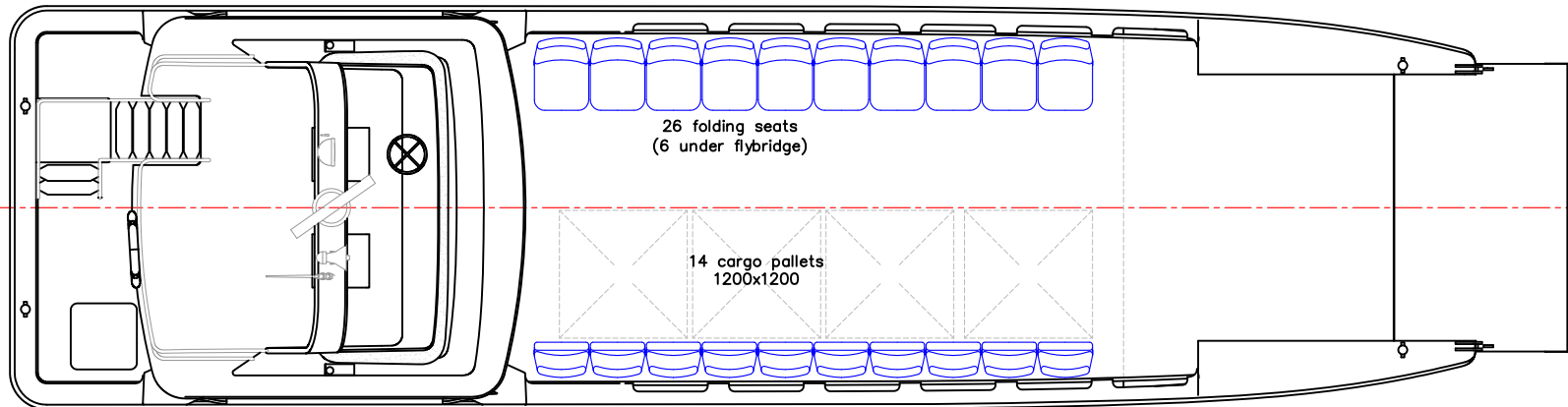
LightCraft

12.5m LANDING CRAFT



PRINCIPAL PARTICULARS

LOA:	13.7m
Lmoulded:	12.5m
LWL:	11.0m
BEAM:	3.7m
DRAFT:	0.7m
FUEL:	2000lts
MAIN ENGINES:	2 x John Deere 6081A 242kW @ 2300rpm
PROPULSION:	2 x Hamilton HJ322
SPEED:	22knots (6.8t dwt)
CLASS STANDARD:	Lloyds *100A1 SSC,Workboat,Mono
SURVEY:	USL 2C (restricted offshore 30nm)
CONSTRUCTION:	GRP
DECK AREA:	42 m ²
AXEL LOAD:	5 tonnes
PAYLOAD:	7.2 tonnes
CLEAR WIDTH:	2.5m (fwd)
CLEAR HEIGHT:	2.3m
PASSENGERS:	30 (USL 1D)
CREW:	2



VESSEL: 12.5m LANDING CRAFT

TITLE: GENERAL ARRANGEMENT

DWG No: LC12.5D-100

DATE: 30/8/2010

SCALE: DRAWN: MDW

copyright ©

THIS DRAWING AND THE INFORMATION CONTAINED HEREON IS SUPPLIED ON THE UNDERSTANDING THAT IT IS THE EXCLUSIVE PROPERTY OF SOUTHPORT CUSTOM YACHTS PTY. LTD. AND MUST NOT BE USED OR REPRODUCED IN WHOLE OR IN PART WITHOUT PERMISSION IN WRITING.

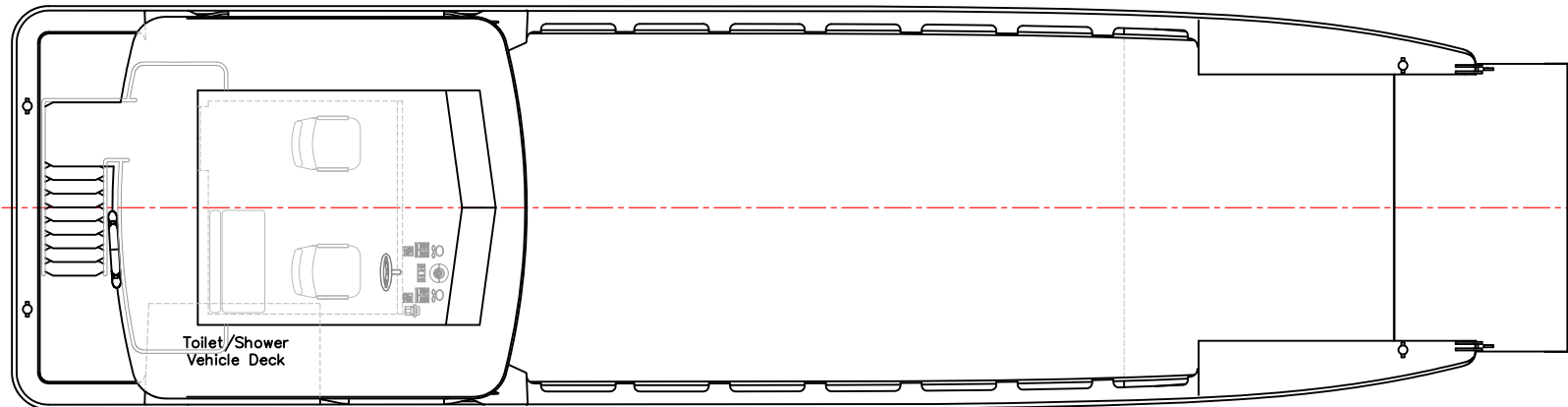
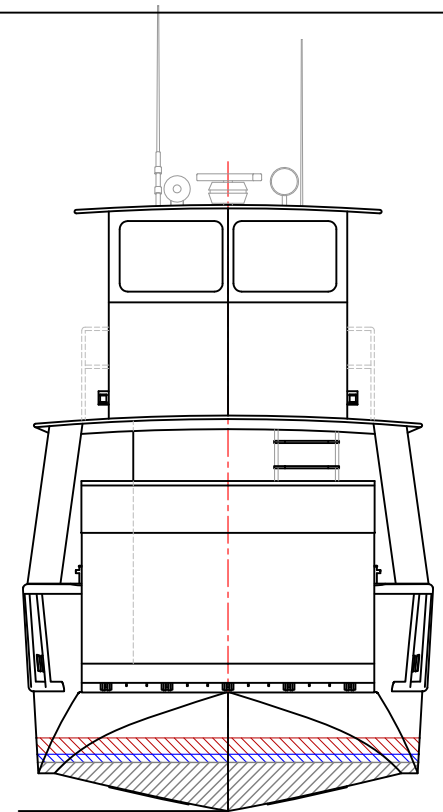
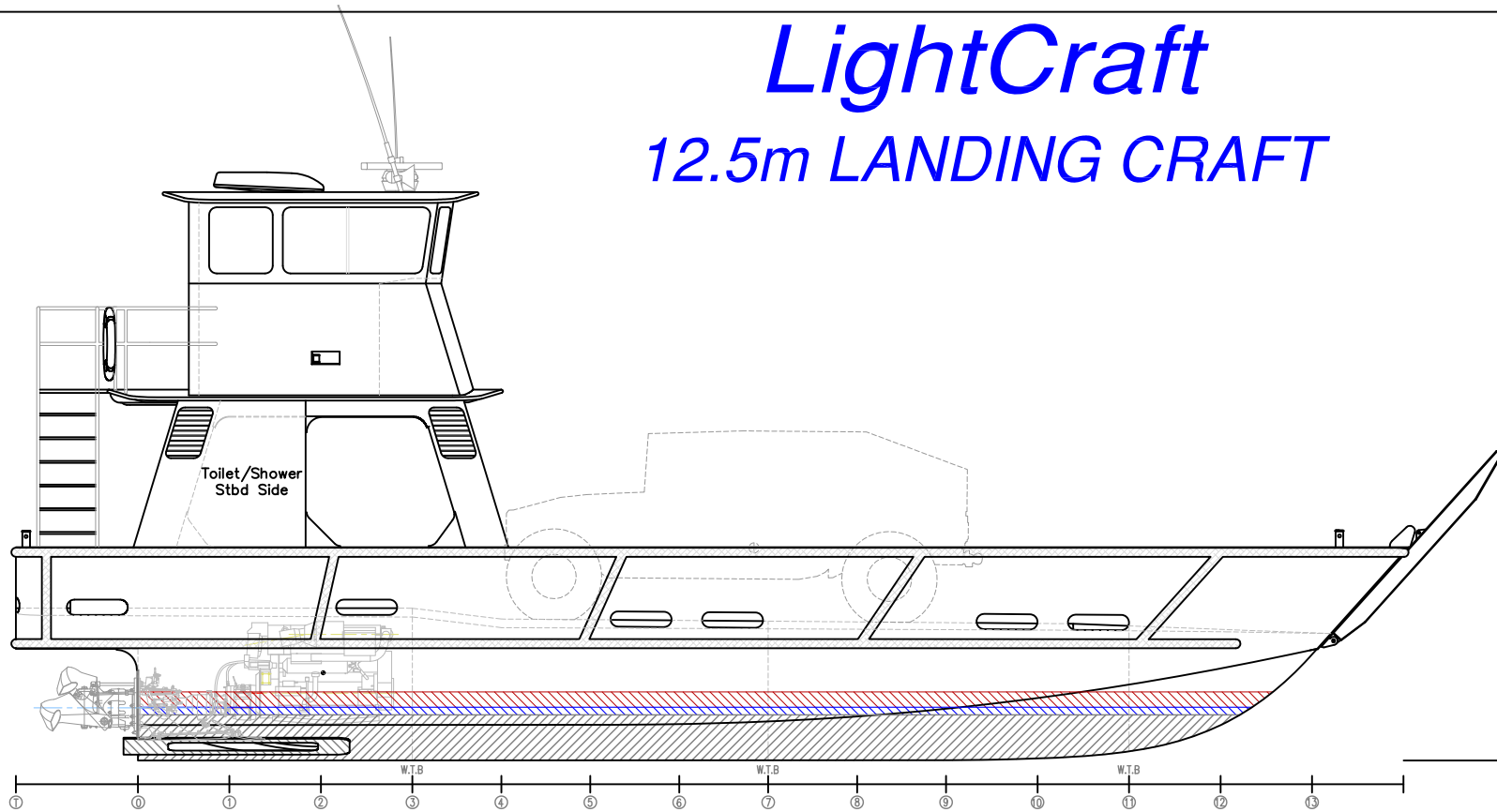
LightCraft

custom workboats

SCY Design
 Consulting Naval Architects & Mechanical Engineers
 48 Sweetgum St, Ashmore, Queensland 4214, Australia
 Ph: 617 5597 3521 www.scy.net.au

LightCraft

12.5m LANDING CRAFT



PRINCIPAL PARTICULARS

LOA:	14.7m
Lmoulded:	12.5m
LWL:	11.0m
BEAM:	3.7m
DRAFT:	0.55m
FUEL:	2000lts
WATER:	300lts
MAIN ENGINES:	2 x Volvo D9-425 313kW @2200rpm
PROPULSION:	2 x Hamilton HJ322
SPEED:	25.5knots
CLASS STANDARD:	DNV R3 PATROL
SURVEY:	USL 2B
CONSTRUCTION:	GRP
DECK AREA:	40 m ²
AXEL LOAD:	5 tonnes
PAYLOAD:	7.2 tonnes
CLEAR WIDTH:	3.2m (fwd)
CLEAR HEIGHT:	2.1m
CREW:	2

LightCraft
custom workboats

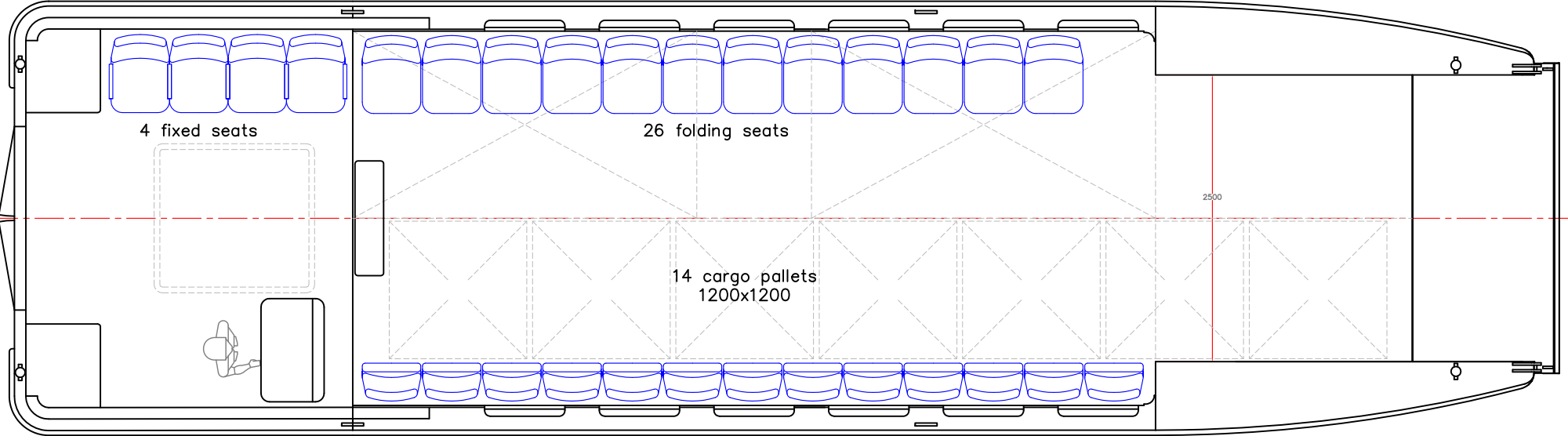
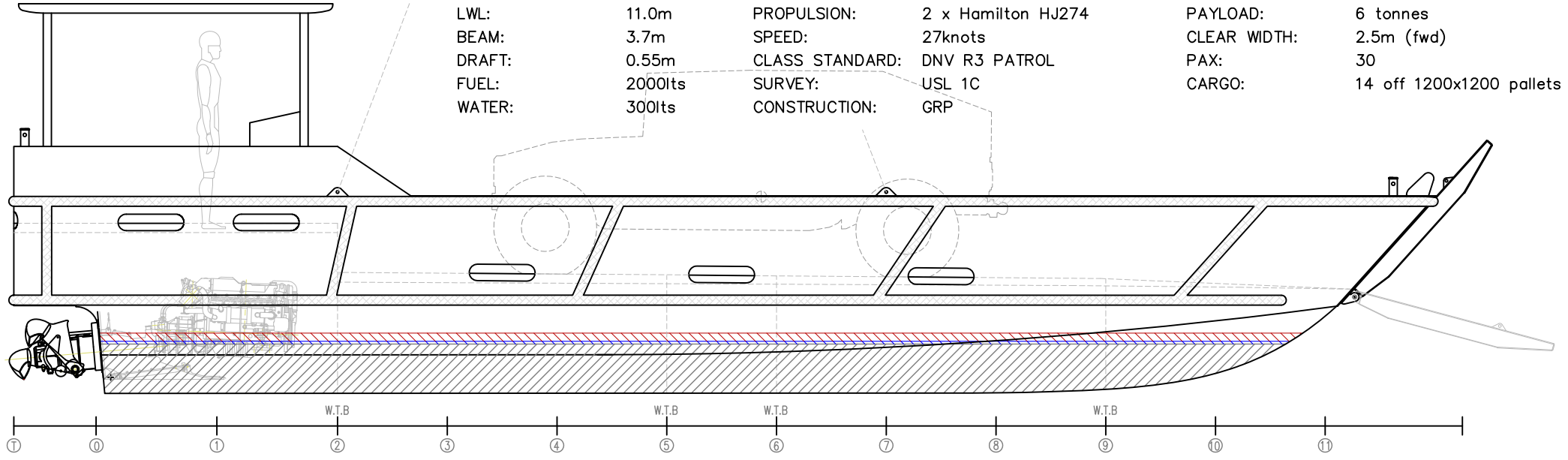
VESSEL: 12.5m LANDING CRAFT			
TITLE: GENERAL ARRANGEMENT (Draft)			
DWG No: LC12.5DW-100	DATE: 4/5/2007	SCALE:	DRAWN: MDW

SCY Design
Consulting Naval Architects & Mechanical Engineers
48 Sweetgum St, Ashmore, Queensland 4214, Australia
Ph: 617 5597 3521 www.scy.net.au

copyright ©

THIS DRAWING AND THE INFORMATION CONTAINED HEREON IS SUPPLIED ON THE UNDERSTANDING THAT IT IS THE EXCLUSIVE PROPERTY OF SOUTHPORT CUSTOM YACHTS PTY. LTD. AND MUST NOT BE USED OR REPRODUCED IN WHOLE OR IN PART WITHOUT PERMISSION IN WRITING.

LOA:	13.4m	MAIN ENGINES:	2 x Yanmar 6LPM-STP	DECK AREA:	30 m2
Lmoulded:	12.2m		315hp @3800rpm	AXEL LOAD:	3 tonnes
LWL:	11.0m	PROPULSION:	2 x Hamilton HJ274	PAYLOAD:	6 tonnes
BEAM:	3.7m	SPEED:	27knots	CLEAR WIDTH:	2.5m (fwd)
DRAFT:	0.55m	CLASS STANDARD:	DNV R3 PATROL	PAX:	30
FUEL:	2000lts	SURVEY:	USL 1C	CARGO:	14 off 1200x1200 pallets
WATER:	300lts	CONSTRUCTION:	GRP		



LightCraft
custom workboats

VESSEL: 12.2m LANDING CRAFT			
TITLE: GENERAL ARRANGEMENT			
DWG No: LC12.2DO-100	DATE: 19/3/2009	SCALE:	DRAWN: MDW

SCY Design
Consulting Naval Architects & Mechanical Engineers
48 Sweetgum St, Ashmore, Queensland 4214, Australia
Ph: 617 5597 3521 www.scy.net.au

copyright © THIS DRAWING AND THE INFORMATION CONTAINED HEREON IS SUPPLIED ON THE UNDERSTANDING THAT IT IS THE EXCLUSIVE PROPERTY OF SOUTHPORT CUSTOM YACHTS PTY. LTD. AND MUST NOT BE USED OR REPRODUCED IN WHOLE OR IN PART WITHOUT PERMISSION IN WRITING.