

LightCraft

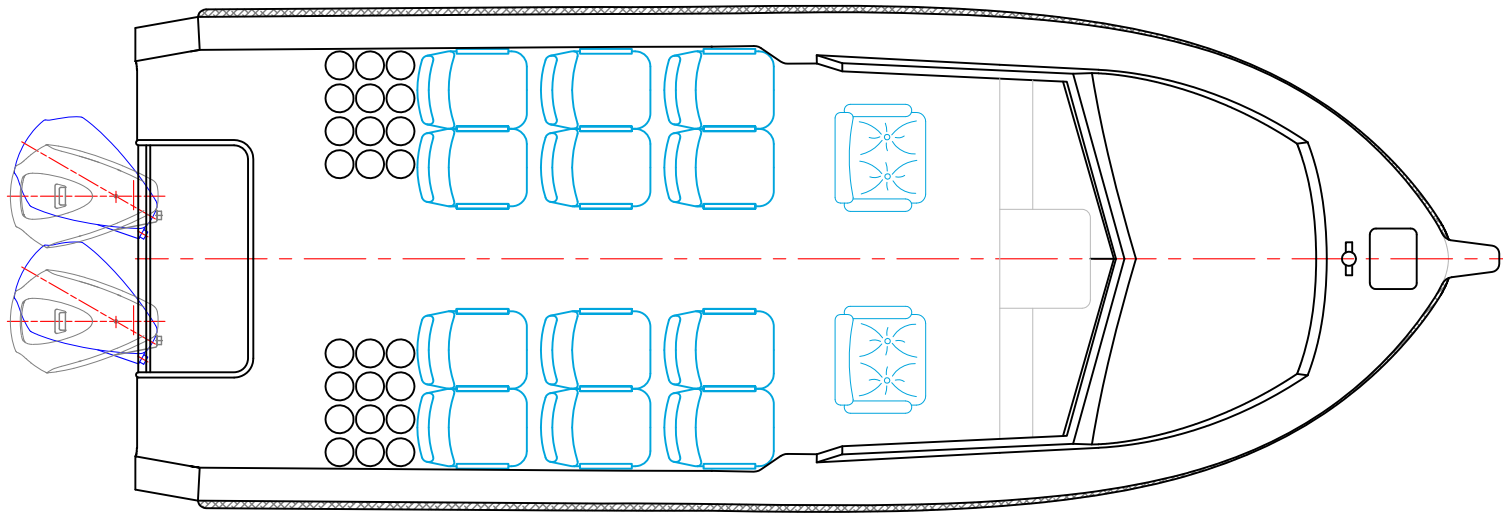
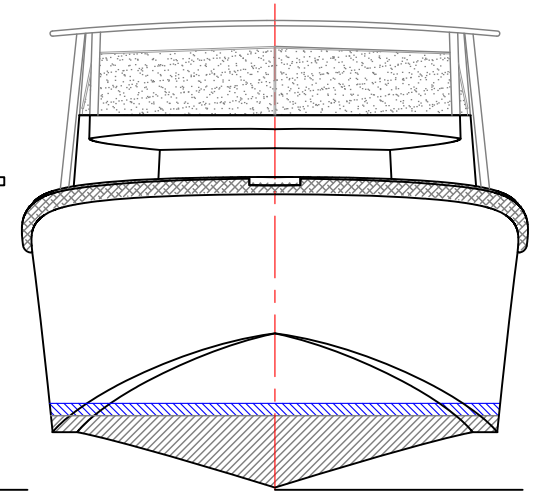
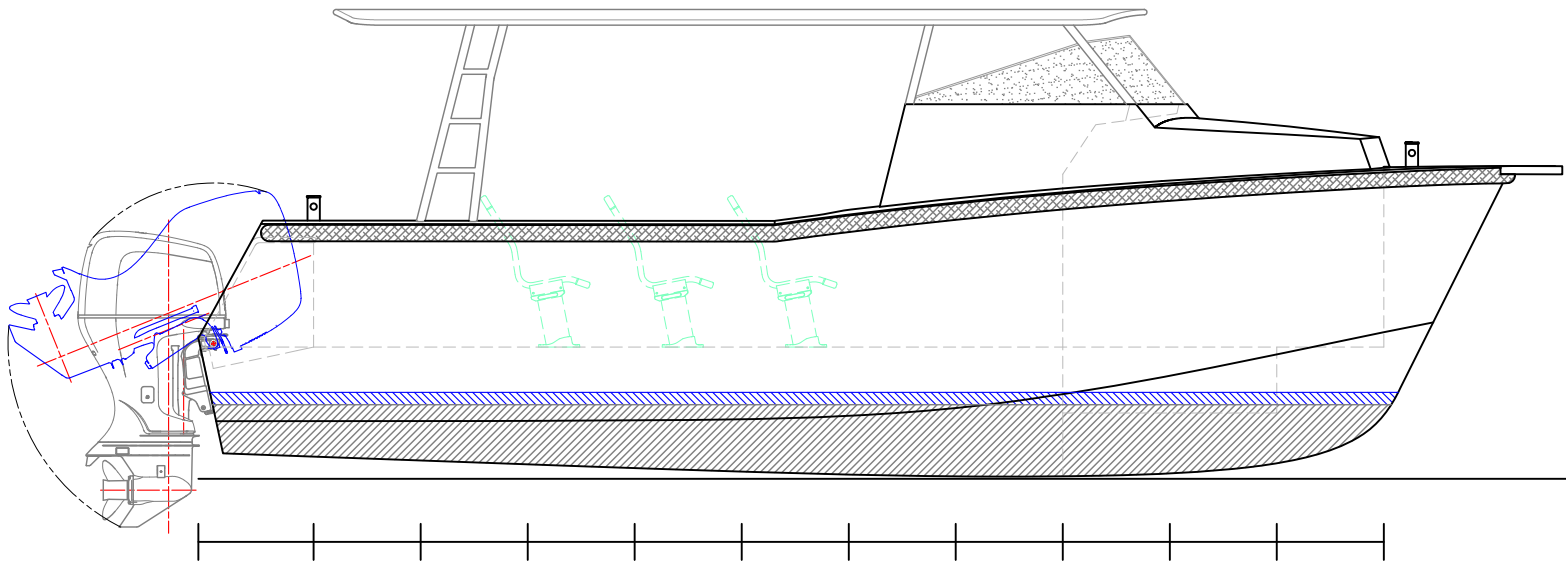
8m Work Boat



SCY Design
48 Sweetgum St, Ashmore Qld 4214, Australia
Ph: (617) 5597 3521 www.scy.net.au



8m 12pax Workboat, Outboard



PRINCIPAL PARTICULARS

LOA: 9.0m
 Lmoulded: 8.0m
 Lwl: 7.2m
 BEAM: 3.0m
 DRAFT: 0.45m
 SPEED: 34knots
 FUEL: 500lts
 POWER: 2x140hp
 PAX: 2 + 12

CONSTRUCTION:
 MARINE GRADE ALUMINIUM

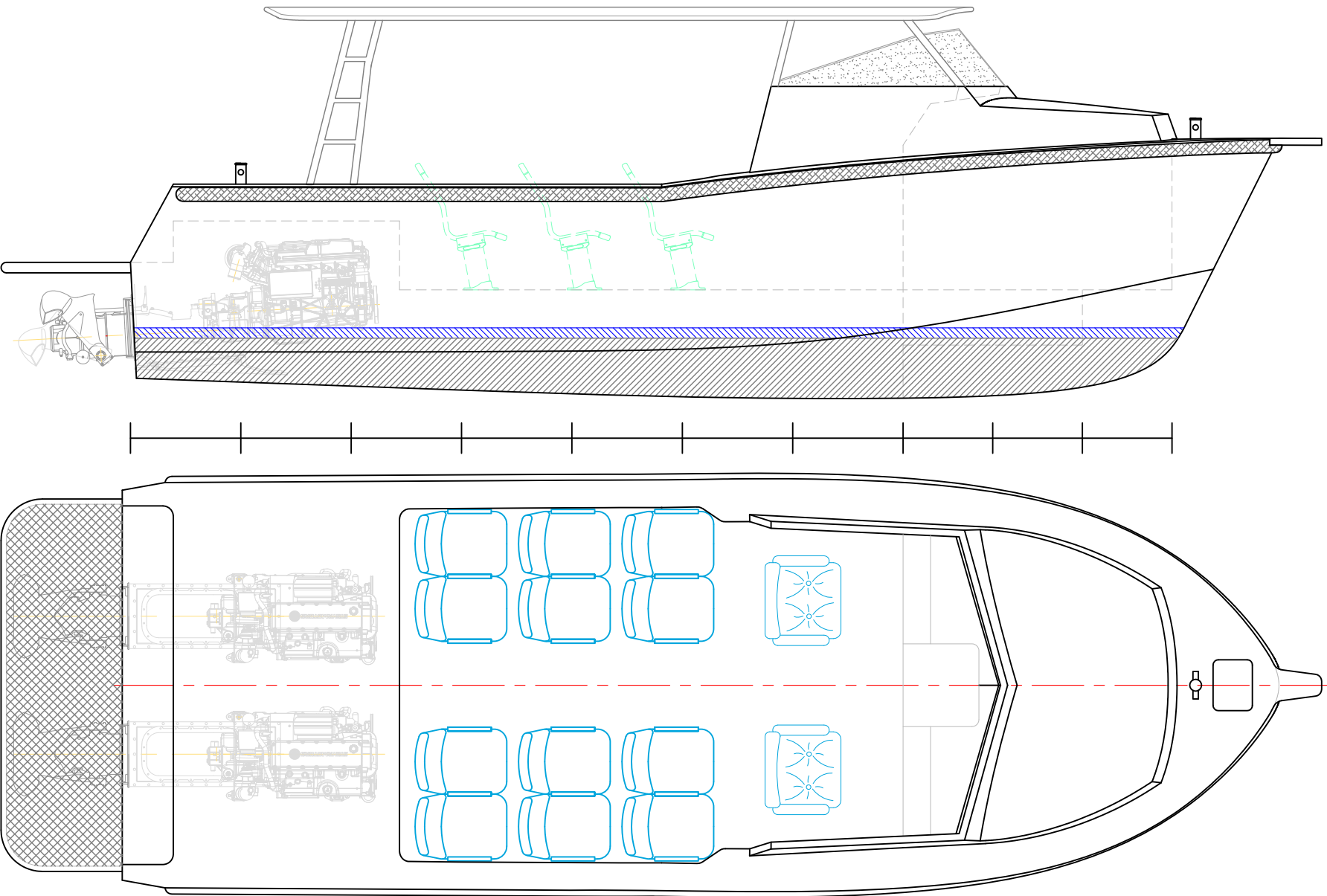


LightCraft
 Aluminium Workboats

| | | | |
|----------------------------|----------------|--------|----------|
| 8m 12pax Workboat | | | |
| TITLE: GENERAL ARRANGEMENT | | | |
| DWG No: 8W-100 | DATE: 8/3/2008 | SCALE: | DRN: MDW |

SCY Design
 Consulting Naval Architects & Mechanical Engineers
 48 Sweetgum St, Ashmore, Queensland 4214, Australia
 Ph: 617 5597 3521 www.scy.net.au

COPYRIGHT © THIS DRAWING AND THE INFORMATION CONTAINED HEREON IS SUPPLIED ON THE UNDERSTANDING THAT IT IS THE EXCLUSIVE PROPERTY OF SOUTHPORT CUSTOM YACHTS PTY. LTD. AND MUST NOT BE USED OR REPRODUCED IN WHOLE OR IN PART WITHOUT PERMISSION IN WRITING.



SURVEY: USL 2C
 CONSTRUCTION:
 MARINE GRADE ALUMINIUM

MAIN ENGINES: Steyr M0246
 240HP @ 3300rpm
 GEARBOX: ZF63A (2.04:1)
 PROPULSION: 2 x HJ241
 SPEED-max: 32knots
 SPEED-cruise: 24knots
 PASSENGERS 2+12

LOA: 9.6m
 Lmoulded: 8.4m
 LWL: 7.6m
 BEAM: 3.0m
 DRAFT: 0.7m
 FUEL: 2x500lts
 WATER: 100lts

LightCraft

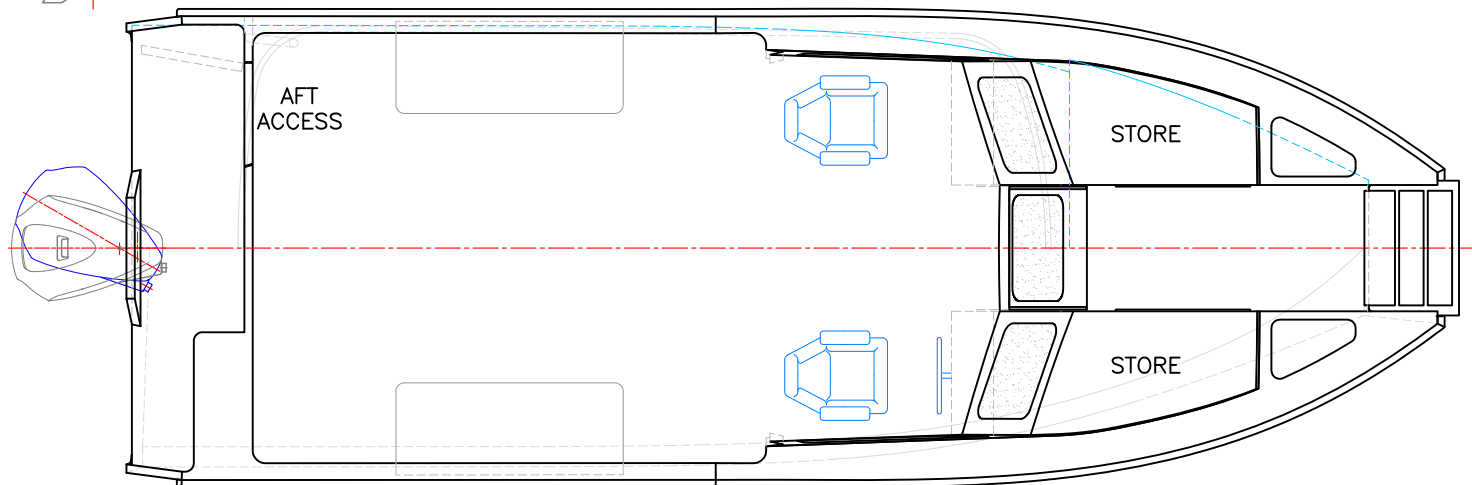
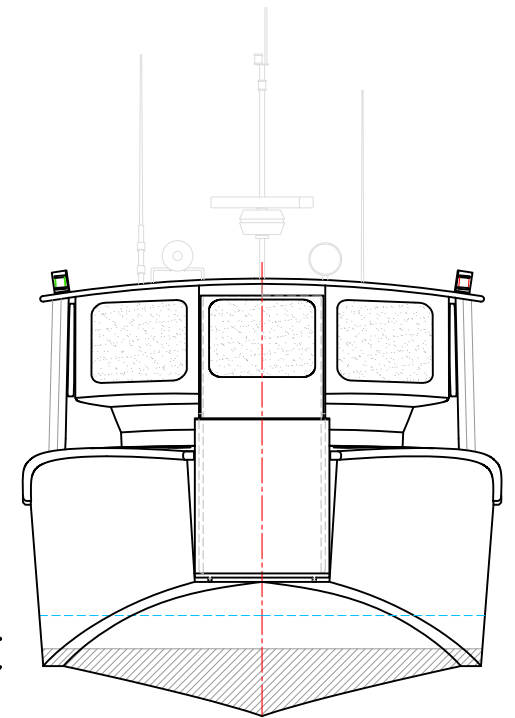
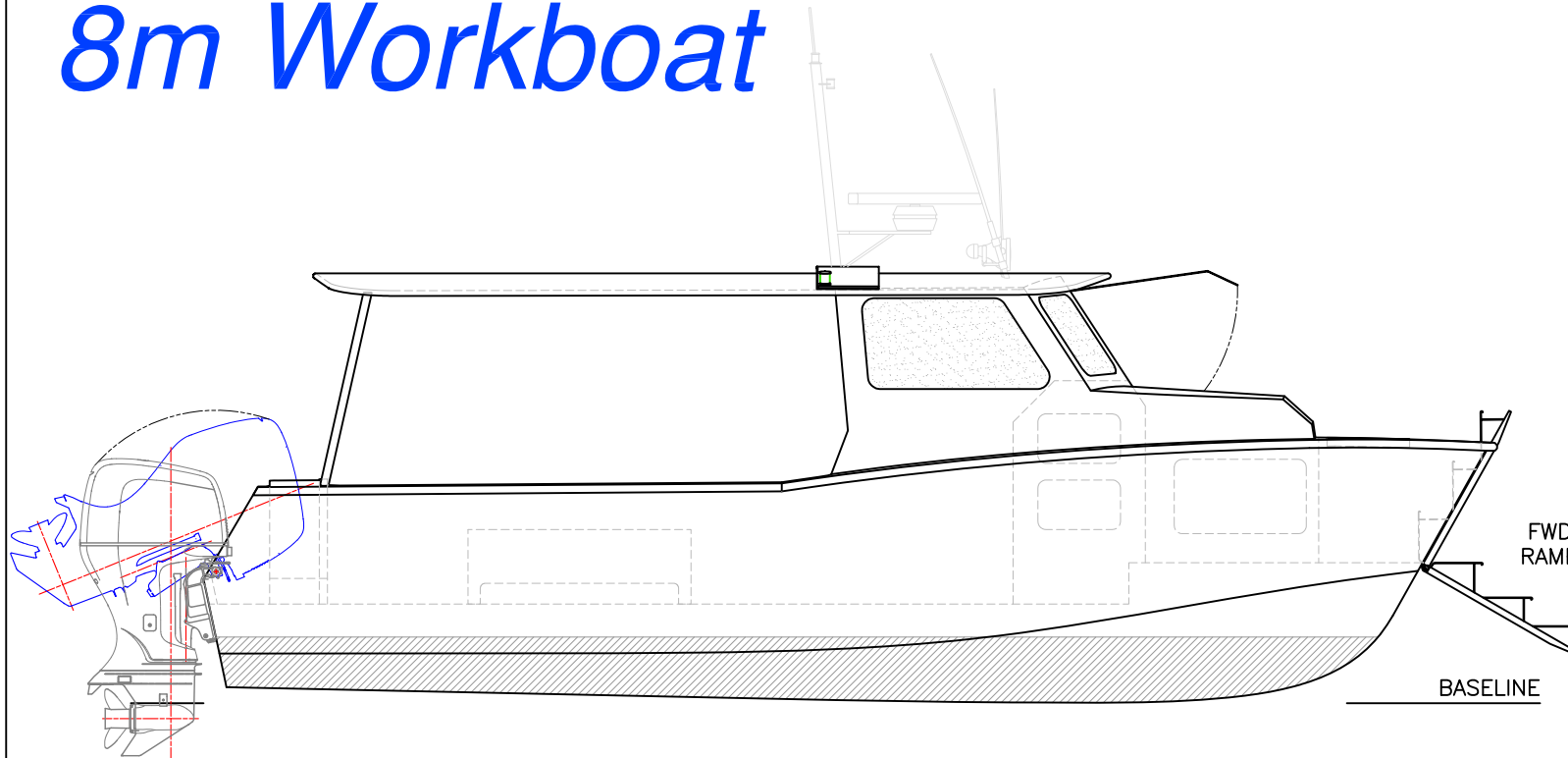
Aluminium Workboats

8.4m 12pax Workboat
 TITLE: GENERAL ARRANGEMENT
 DWG No: 8W-100
 DATE: 16/11/2010
 SCALE:
 DRN: MDW

MARK WILLIAMSON DESIGN
 Consulting Naval Architects & Mechanical Engineers
 48 SweeGunn St, Ashmore, Queensland 4214, Australia
 Ph: 617 5597 3521
 www.mwdesign.net.au

COPYRIGHT © THIS DRAWING AND THE INFORMATION CONTAINED HEREON IS SUPPLIED ON THE UNDERSTANDING THAT IT IS THE EXCLUSIVE PROPERTY OF MARK WILLIAMSON DESIGN PTY. LTD. AND MUST NOT BE USED OR REPRODUCED IN WHOLE OR IN PART WITHOUT PERMISSION IN WRITING.

8m Workboat



PRINCIPAL PARTICULARS

LOA: 7.9m
 Lmoulded: 7.8m
 LWL: 6.9m
 BEAM: 2.8m
 DRAFT: 0.35m
 DEADRISE: 15 Degrees
 FUEL: 400 lts
 POWER: 250hp

CONSTRUCTION:
 MARINE GRADE ALUMINIUM



Winning Yachts

Hanger 1, McNaught Rd, Caboolture, Qld
 Ph: 07 5428 0711 www.winningyachts.com.au

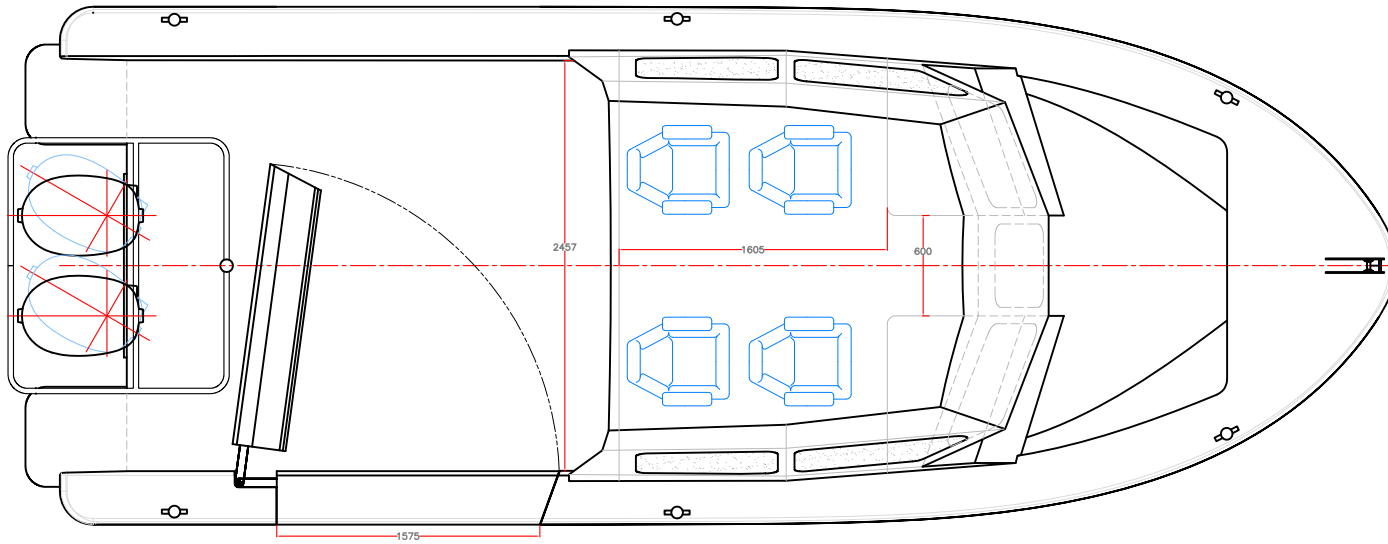
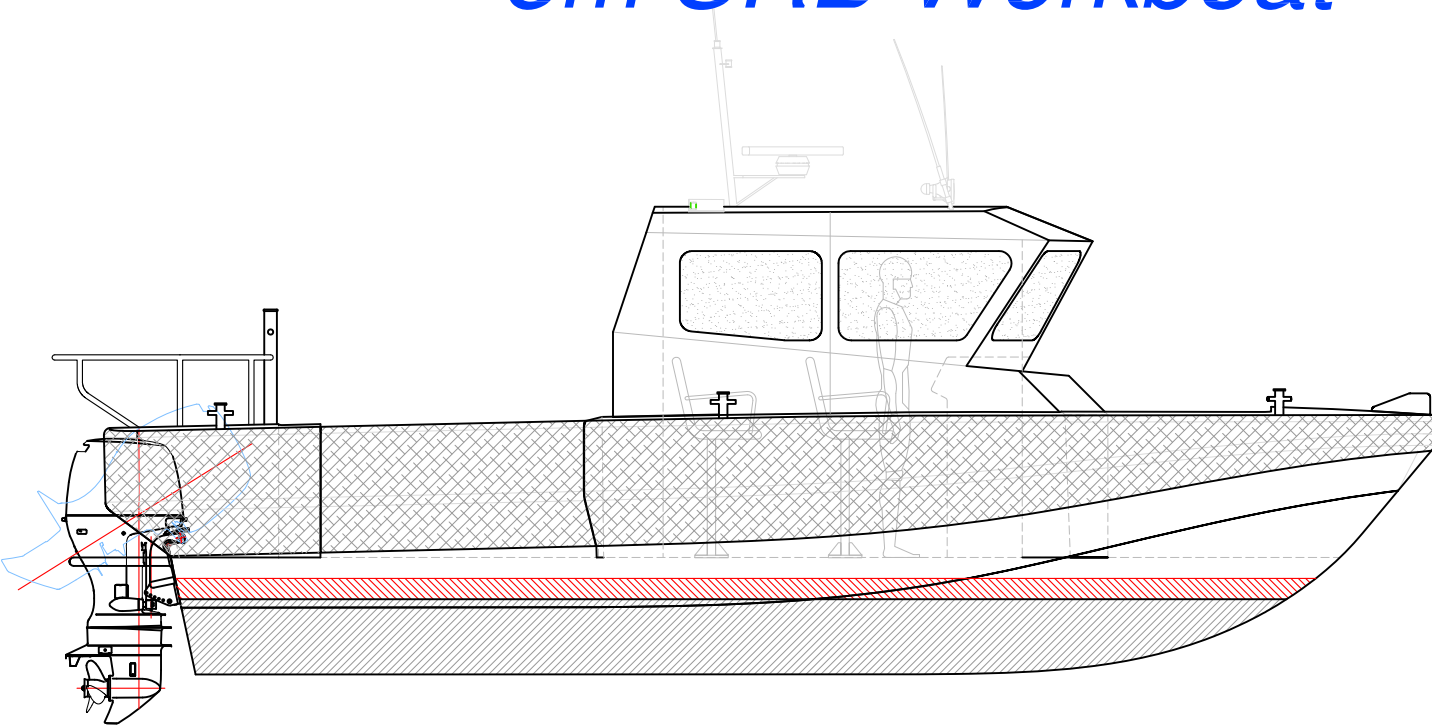
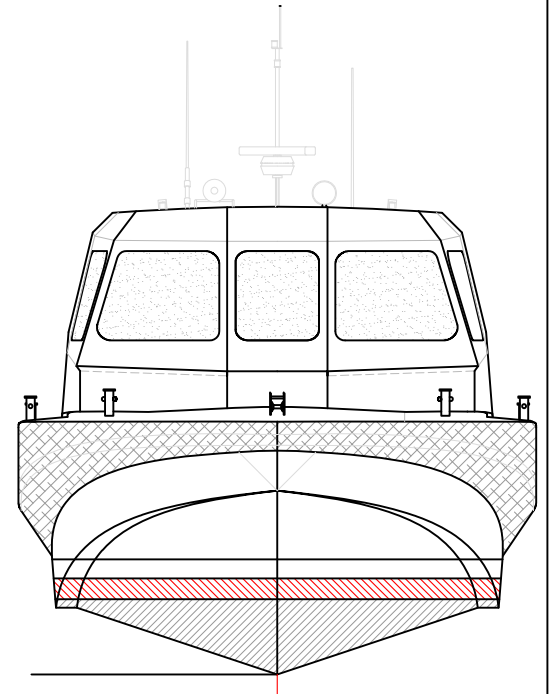
| | | | |
|---------|---------------------|--------|----------|
| VESSEL: | 8m EPA Workboat | | |
| TITLE: | GENERAL ARRANGEMENT | | |
| DWG No: | EPAB-100 | DATE: | 1/5/2009 |
| SCALE: | | DRAWN: | MDW |

copyright ©

THIS DRAWING AND THE INFORMATION CONTAINED HEREON IS SUPPLIED ON THE UNDERSTANDING THAT IT IS THE EXCLUSIVE PROPERTY OF MARK WILLIAMSON DESIGN PTY. LTD. AND MUST NOT BE USED OR REPRODUCED IN WHOLE OR IN PART WITHOUT PERMISSION IN WRITING.

MARK WILLIAMSON DESIGN
 Consulting Naval Architects & Mechanical Engineers
 48 Sweetgum St, Ashmore, Queensland 4214, Australia
 Ph: 617 5597 3521 www.mwdesign.net.au

8m SRB Workboat



PRINCIPAL PARTICULARS

| | |
|-----------|------------|
| LOA: | 8.3m |
| Lmoulded: | 8.0m |
| LWL: | 6.6m |
| BEAM: | 3.1m |
| DRAFT: | 0.45m |
| DEADRISE: | 18 Degrees |
| FUEL: | 400lts |
| POWER: | 2x140hp |

CONSTRUCTION:
MARINE GRADE ALUMINIUM



STRUCTURAL RESERVE BUOYANCY

Winning Yachts

Honger 1, McNaught Rd, Caboolture, Qld
Ph: 07 3428 0711 www.winningyachts.com.au

| | |
|---------|-----------------------|
| VESSEL: | 8m SRB Workboat - DH2 |
| TITLE: | GENERAL ARRANGEMENT |
| DWG No: | SRB-100 |
| DATE: | 24/6/2009 |
| SCALE: | |
| DRAWN: | MDW |

MARK WILLIAMSON DESIGN
Consulting Naval Architects & Mechanical Engineers
48 Smeetham St, Ashmore, Queensland 4214, Australia
Ph: 617 5597 3521 www.mwdesign.net.au

THIS DRAWING AND THE INFORMATION CONTAINED HEREON IS SUPPLIED ON THE UNDERSTANDING THAT IT IS THE EXCLUSIVE PROPERTY OF MARK WILLIAMSON DESIGN PTY. LTD. AND MUST NOT BE USED OR REPRODUCED IN WHOLE OR IN PART WITHOUT PERMISSION IN WRITING.

copyright ©